



SUZUKI
MARINE

Parts Book

DT8c 88~97

DT9.9c 88~97

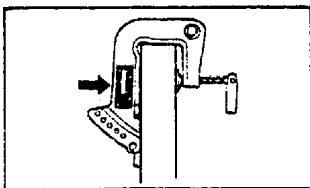
PREFACE

When it becomes necessary to replace parts on SUZUKI OUTBOARD MOTORS, always use SUZUKI GENUINE PARTS which have passed a strict inspection which guarantees quality and performance.

This parts catalogue covers the list of all service parts for SUZUKI DT8C, DT9.9C '88-'97 MODEL.

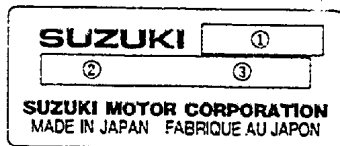
INSTRUCTIONS FOR QUOTING THE CATALOGUE

1. LOCATION OF THE MODEL IDENTIFICATION PLATE



The model and identification numbers of your outboard are stamped on a plate attached to the clamp bracket.

2. INFORMATION IN THE IDENTIFICATION PLATE



The following details are stamped on I.D plate.

- (1) Model name.....DT8C
- (2) Type of name.....00802
- (3) Engine number.....801020

Note : Please check the above details while ordering spare parts.

3. SPECIFICATIONS

MODEL NAME : DT8C/DT9.9C

Engine type : Two stroke
 Number of cylinders : 2
 Bore and stroke : 54x46mm (2.13x1.81in.)
 Piston displacement : 211cm³ (12.9cu.in)
 Transom height : S/445mm (15in type)
 L/559mm (20in type)
 UL/686mm (25in type)

4. DIMENSIONS

Dimensions of the parts in this catalogue are indicated in unit millimeters.

5. ABBREVIATIONS

Abbreviations used in this catalogue are as follows:

AR : As required	NT : Number of teeth
ASSY : Assembly	OPT : Optional
E.No. : Engine number	OS : Over size
F.No. : Frame number	STD : Standard
d : Diameter of material	T : Thickness
ID : Inside diameter	US : Under size
OD : Outside diameter	W : Width
L : Length	S,L,UL,LL: Transom type
LH : Left hand side	SUS : Stainless steel
RH : Right hand side	STBD : Right hand side
W/ : With	PORT : Left hand side
N/ : Non	ND : NIPPONDENSO
BRKT : Bracket	PTT : Power trim and tilt

TEMP : Temperature
 NGK : NGK SPARK PLUG
 ~123456 : Up to F.No.00802-123456
 123456~ : From F.No.00802-123456

12 x 34 x 5.6Figures in the description column show the dimensions of parts.

ID OD T(or W,L)

+12345-56781 (Parts No.) : indicates that the parts number was changed to 12345-56781 and the new parts are interchangeable with the former ones but the former ones are not interchangeable with new ones.

+12345-56781 (Parts No.) : indicates that the former and new parts are interchangeable with each other and both are usable.

6. INNER PARTS OF ASSEMBLY

Part name with a dot (.) in front as shown in the description column indicates the component of the assembly also available individually.

7. MODIFICATION NOTICE

A parts bulletin will be sent to you on all occasions when changes in parts occur, including interchangeable modifications between new parts and old ones.

8. NOTE

- 8-1. There are some parts different from production parts for administrative reasons and common use with other models.
- 8-2. In respect of rubber hoses and vinyl tubes, please be sure to use them by cutting off according to the length mentioned on parts catalogue or what is actually required on the vehicle.
- 8-3. Note that the drawings on the illustration page are for ready reference of spare parts number, not to be used as an assembly manual. When assembling, use "SUZUKI SERVICE MANUAL".

9. MODEL NAME AND ENGINE NUMBER

MODEL	YEAR'S	TYPE	STARTING	ENGINE No.
DT8CVJ	'88	00802	manual	00802-201020-
DT8CEVJ	'88	00802	electric	00802-801020-
DT8CVK	'89	00802	manual	00802-903537-
DT8CEVK	'89	00802	electric	00802-903537-
DT8CVL	'90	00802	manual	00802-011001-
DT8CEVL	'90	00802	electric	00802-011001-
DT8CVM	'91	00802	manual	00802-131001-
DT8CEVM	'91	00802	electric	00802-131001-
DT8CVN	'92	00802	manual	00802-231001-
DT8CEVN	'92	00802	electric	00802-231001-
DT8CVP	'93	00802	manual	00802-351001-
DT8CEVP	'93	00802	electric	00802-351001-
DT8CVR	'94	00802	manual	00802-461001-
DT8CEVR	'94	00802	electric	00802-461001-
DT8CVS	'95	00802	manual	00802-581001-
DT8CEVS	'95	00802	electric	00802-581001-
DT8CVT	'96	00802	manual	00802-651001-
DT8CEVT	'96	00802	electric	00802-651001-
DT8CVV	'97	00802	manual	00802-751001-
DT8CEVV	'97	00802	electric	00802-751001-
DT9.9CVJ	'88	00994	manual	00994-801001-
DT9.9CEVJ	'88	00994	electric	00994-801001-
DT9.9CVK	'89	00994	manual	00994-906350-
DT9.9CEVK	'89	00994	electric	00994-906350-
DT9.9CVL	'90	00994	manual	00994-011001-
DT9.9CEVL	'90	00994	electric	00994-011001-
DT9.9CVM	'91	00994	manual	00994-131001-
DT9.9CEVM	'91	00994	electric	00994-131001-
DT9.9CVN	'92	00994	manual	00994-231001-
DT9.9CEVN	'92	00994	electric	00994-231001-
DT9.9CVP	'93	00994	manual	00994-351001-
DT9.9CEVP	'93	00994	electric	00994-351001-
DT9.9CVR	'94	00994	manual	00994-461001-
DT9.9CEVR	'94	00994	electric	00994-461001-
DT9.9CVS	'95	00994	manual	00994-581001-
DT9.9CEVS	'95	00994	electric	00994-581001-
DT9.9CVT	'96	00994	manual	00994-651001-
DT9.9CEVT	'96	00994	electric	00994-651001-
DT9.9CVV	'97	00994	manual	00994-751001-
DT9.9CEVV	'97	00994	electric	00994-751001-
DT9.9CNULVP	'93	00994	manual	00994-351001-
DT9.9CNEULVP	'93	00994	electric	00994-351001-
DT9.9CNULVR	'94	00994	manual	00994-461001-
DT9.9CNEULVR	'94	00994	electric	00994-461001-
DT9.9CNULVS	'95	00994	manual	00994-581001-
DT9.9CNEULVS	'95	00994	electric	00994-581001-
DT9.9CNULVT	'96	00994	manual	00994-651001-
DT9.9CNEULVT	'96	00994	electric	00994-651001-
DT9.9CNULVV	'97	00994	manual	00994-751001-
DT9.9CNEULVV	'97	00994	electric	00994-751001-

FIG.1

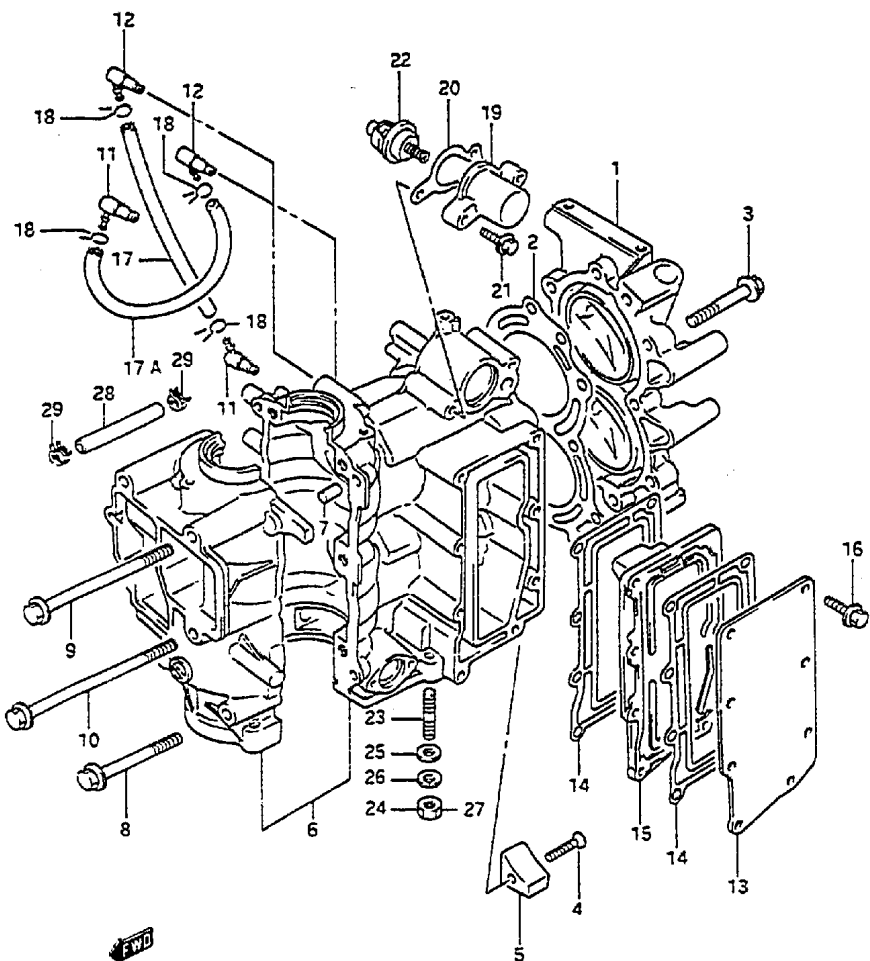


FIG.1 (B- 2) CYLINDER

REF.NO.	PART NO.	DESCRIPTION	Q'TY	REMARKS
1	11110-92000-OED	CYLINDER HEAD	1	
2	11141-92020	GASKET, cylinder head	1	
3	01560-08357	BOLT	8	
4	09126-06005	SCREW	1	
5	11281-94400	PROTECTION, anode	1	
6-1	11301-92014-OED	CYLINDER ASSY	1	model:88-94
6-2	11301-92017-OED	CYLINDER ASSY	1	DT8C:461527- DT9.9C:461782-
6-3	11301-92020-OED	CYLINDER ASSY	1	model:93,94,type:sail
6-4	11301-92023-OED	CYLINDER ASSY	1	DT9.9CN:461782- type:sail
7	04221-06129	.KNOCK PIN	2	
8	01550-08507	.BOLT	2	
9	01550-08857	.BOLT	2	
10	09103-08258	.BOLT (8x95)	2	
11-1	16710-98600	.VALVE, check	2	
11-2	16710-95D10	.VALVE, check	2	model:97
12-1	16721-92D10	.NOZZLE, oil	2	model:88
12-2	16721-89E00	.NOZZLE, oil	2	model:89
12-3	16725-89E02	.NOZZLE, oil	2	model:90-97
13	14141-92D01-OED	COVER, exhaust	1	
14	14151-92D10	GASKET, exhaust cover	2	
15	14131-92D00	PLATE, exhaust cover	1	
16	02162-06257	BOLT	8	
17	09355-25705-600	HOSE, lubrication	1	L:600+150
17A	09355-25705-600	HOSE, lubrication	1	L:600+120
18	09401-06101	CLIP	4	
19	17681-92D00-OED	COVER, thermostat	1	
20	17685-92D10	GASKET, thermostat cover	1	+17685-92D00
21	02162-06257	BOLT	2	

COLOR : OED (Gray)

FIG.1

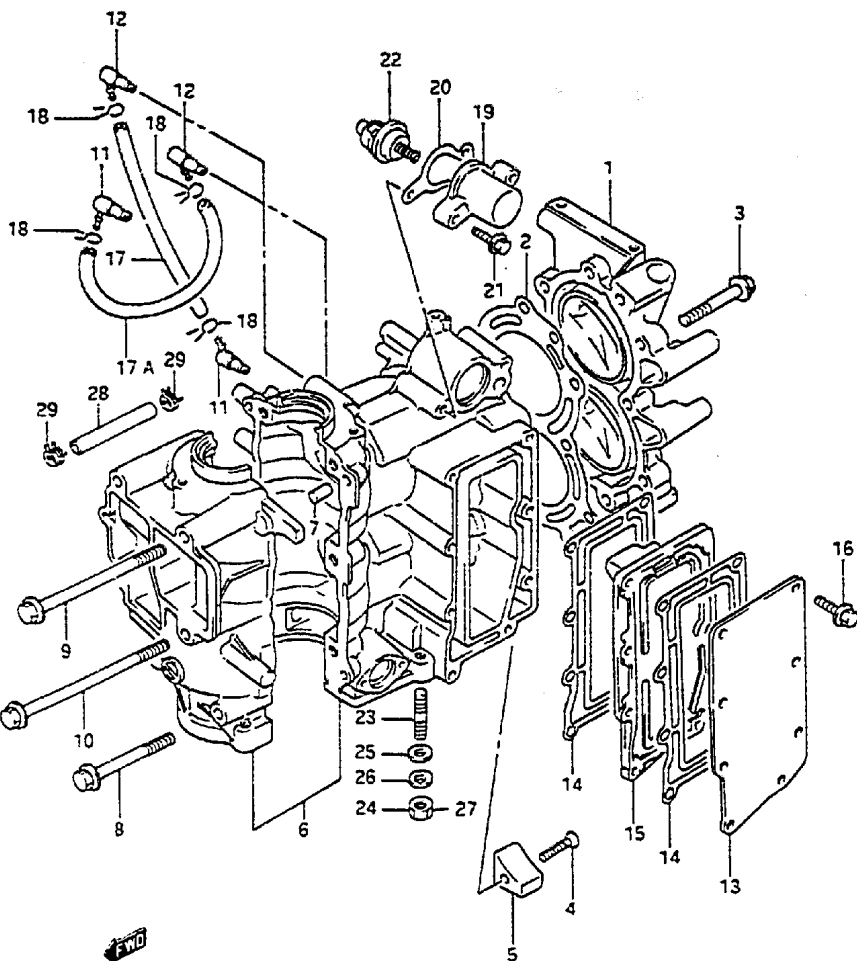


FIG.1 (B- 3) CYLINDER

REF.NO.	PART NO.	DESCRIPTION	Q'TY	REMARKS
22	17670-92D10	THERMOSTAT	1	
23	09108-08219	STUD BOLT (8x25)	2	
24	09140-08016	NUT	2	-model:94
25	09160-08082	WASHER	2	-model:94
26	09162-08007	LOCK WASHER	2	-model:94
27	09159-08104	NUT	2	model:95-97
28	09354-53103-600	HOSE, pulse pick up	1	type:sail L:600-75
29	09401-10411	CLIP	2	type:sail

COLOR : OED (Gray)

FIG.2

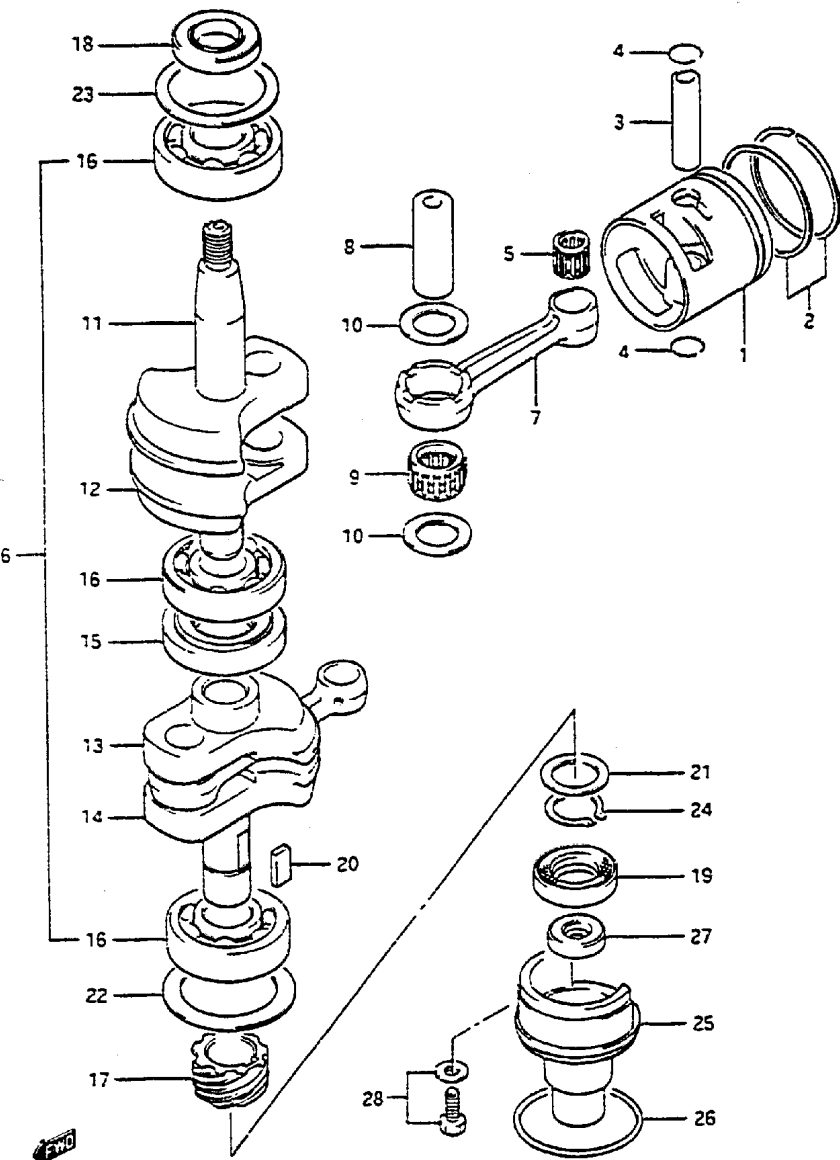


FIG.2 (B-4) CRANKSHAFT

REF.NO.	PART NO.	DESCRIPTION	Q'TY	REMARKS
1-1	12110-92021	PISTON	2	
1-2	12110-92021-025	PISTON (OS:0.25)	2	OPT
1-3	12100-92021-025	PISTON SET (OS:0.25)	2	OPT
1-4	12100-92021-050	PISTON SET (OS:0.50)	2	OPT
2-1	12140-92021	RING SET, piston	2	
2-2	12140-40A10-050	RING SET, piston (OS:0.50)	2	OPT
3	12151-90600	PIN, piston	2	
4	09381-12001	SNAP RING	4	
5	09263-12023	BEARING (12x16x16)	2	
6-1	12200-92011	CRANKSHAFT ASSY	1	
6-2	12200-92012	CRANKSHAFT ASSY	1	DT8C:461527- DT9.9C:461782-
7	12161-92000	.ROD, connecting	2	
8	12211-92000	.PIN, crank	2	
9	09263-17035	.BEARING (17x24x14)	2	
10-1	08211-17301	.THRUST WASHER	4	
10-2	09181-17223	.THRUST WASHER	4	model:97
11	12221-92002	.CRANKSHAFT, upper	1	
12	12231-92002	.WHEEL, middle upper	1	
13	12232-92001	.WHEEL, middle under	1	
14	12240-92011	.CRANKSHAFT, under	1	
15-1	09289-28009	.OIL SEAL (28x52x9)	1	
15-2	09289-28011	.OIL SEAL	1	DT8C:461527- DT9.9C:461782-
16-1	09262-20003	.BEARING (20x52x15)	3	
16-2	09262-20073	.BEARING (20x52x15)	3	model:92-97
17	16321-92000	GEAR, oil pump drive	1	
18	09283-20006	OIL SEAL (20x37x7)	1	
19	09283-20018	OIL SEAL (20x37x9)	1	
20	09421-08001	KEY	1	
21-1	08211-20301	WASHER (20x30x1.0)	1	
21-2	09181-20195	WASHER	1	model:97
22	08211-40552	WASHER (40x55x1.5)	1	

FIG.2

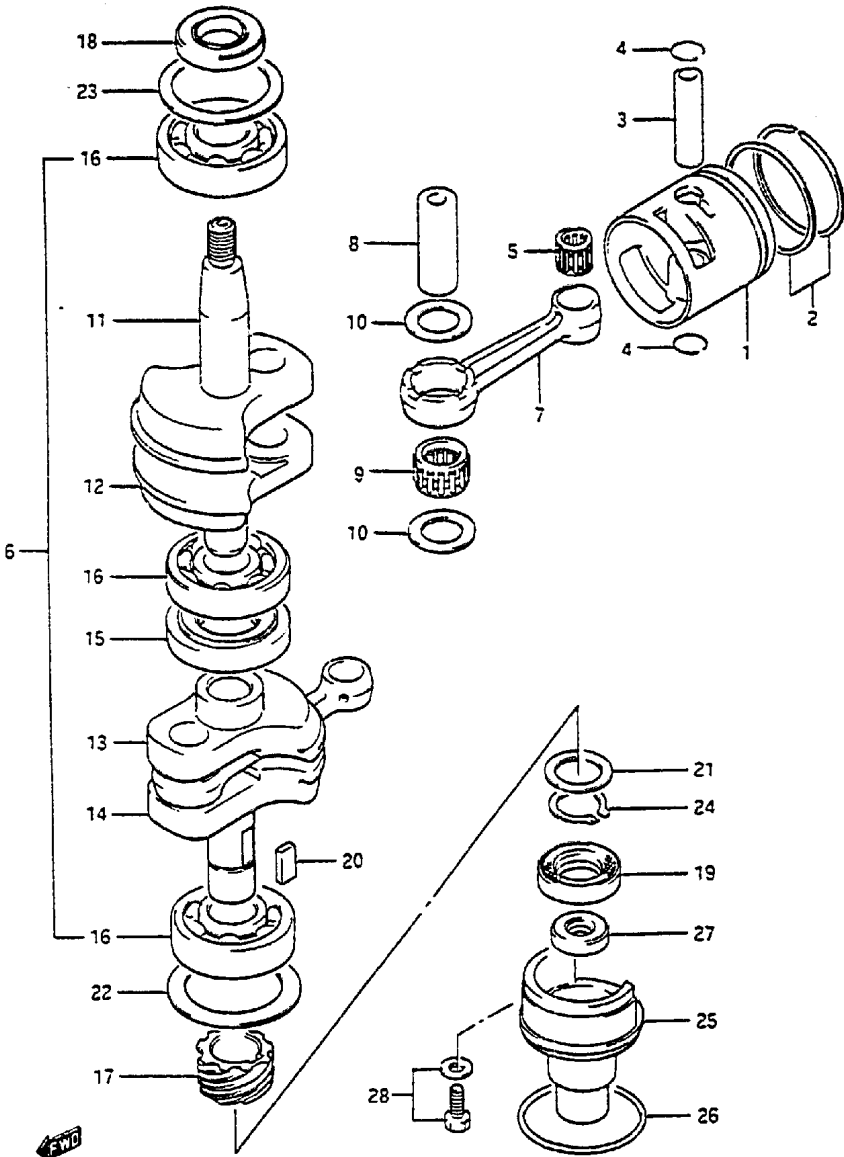


FIG.2 (B- 5) CRANKSHAFT

REF.NO.	PART NO.	DESCRIPTION	Q'TY	REMARKS
23-1	08221-40525	WASHER (40x52x0.5)	1	
23-2	09181-40186	WASHER	1	model:97
24	08331-31206	CIRCLIP	1	
25	11431-92000	HOUSING, under oil seal	1	
26	09280-48006	O RING	1	
27	09282-12008	OIL SEAL (12x24x4.5)	1	
28	09116-06092	BOLT	1	

FIG.3

FIG.3 (B- 6) INLET CASE

Q'TY

REF.NO.	PART NO.	DESCRIPTION	REMARKS
1	13150-92000	REED VALVE ASSY	1
2	13153-92000	.REED VALVE	2
3	13152-92000	.STOPPER, reed valve	2
4	02112-03063	.SCREW	4
5	08321-01067	.LOCK WASHER	4
6	12481-92002-OED	CASE, inlet	1
7	13811-92000	CASE, silencer	1
8	13812-92000	COVER, silencer	1
9	03242-05123	SCREW	1
10	13125-91000	GASKET, carburetor	1
11	13633-92001	LEVER, choke	1
12	09148-06008	NUT	1
13	13694-92000	PLATE, choke spring	1
14	02112-04087	SCREW	1
15	01550-06907	BOLT	2
16	09160-06066	WASHER	2
17	13631-93910	KNOB, choke lever	1
18	13632-93900	GROMMET, choke knob	1

COLOR : OED (Gray)

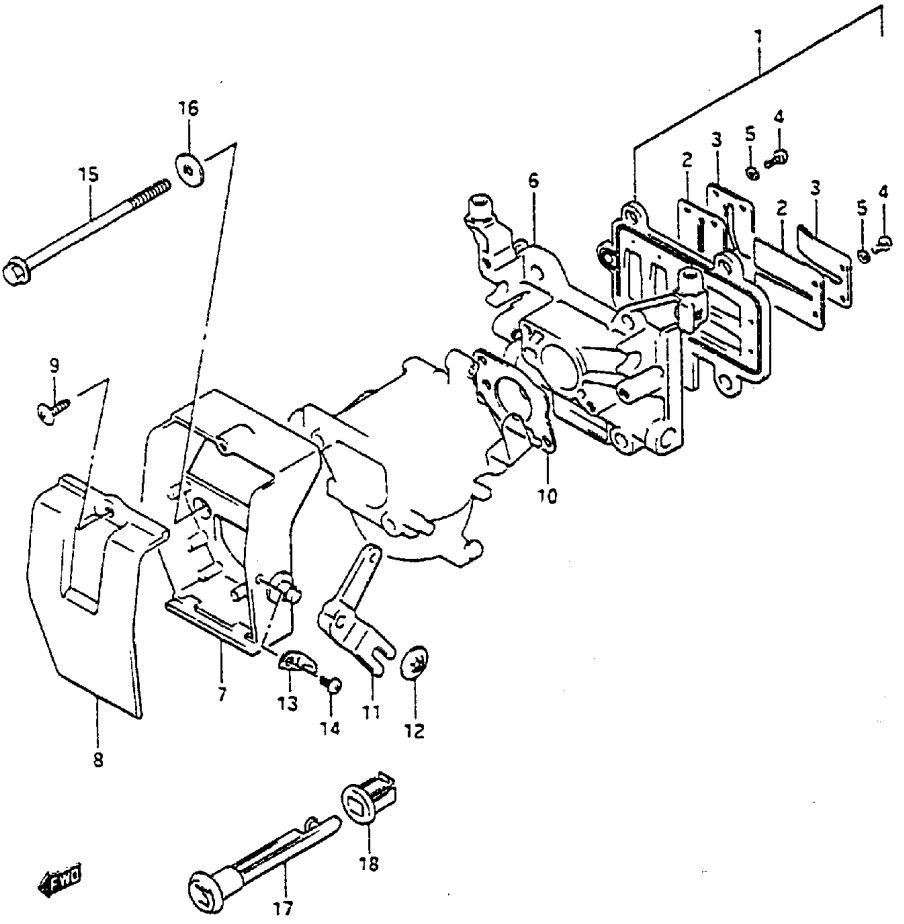


FIG. 4

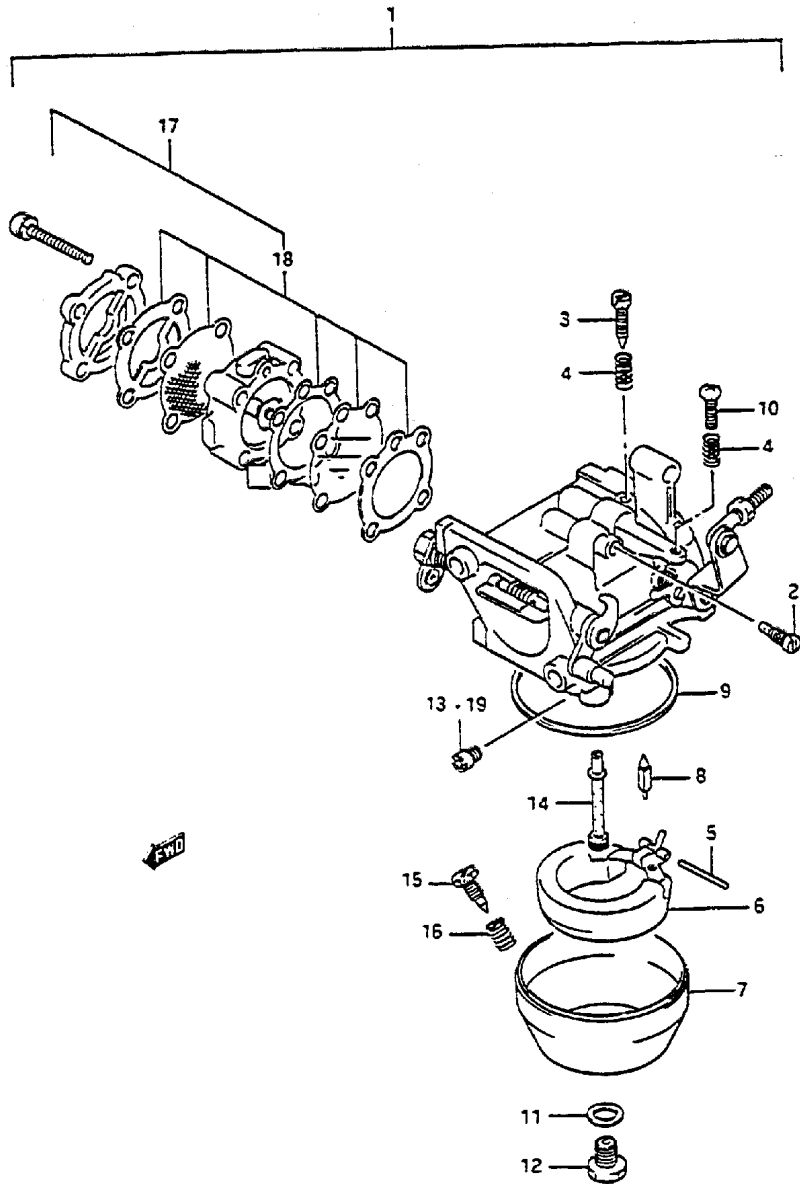


FIG. 4 (B- 7) CARBURETOR (DT8C)

REF.NO.	PART NCL	DESCRIPTION	Q'TY	REMARKS
1	13200-92052	CARBURETOR ASSY	1	+13200-92021
2	09492-85001	.JET, pilot (#85)	1	
3	13279-90000	.SCREW, pilot	1	
4-1	13268-96110	.SPRING, throttle	1	-model:92
4-2	13268-96111	.SPRING, throttle	1	model:93-97
5	13254-98100	.PIN, float	1	
6	13250-98110	.FLOAT	1	
7	13245-98110	.CHAMBER ASSY, float	1	
8	13371-98100	.NEEDLE	1	
9	13251-98100	.GASKET, float chamber	1	
10	13267-93900	.SCREW, throttle stop	1	
11	13343-98100	.GASKET	1	
12	13613-98100	.BOLT	1	
13	09491-21023	.JET, main (#105)	1	
14-1	13235-92000	.NOZZLE	1	-model:94
14-2	13235-91000	.NOZZLE	1	model:95-97
15	13616-93900	.ADJUSTER	1	
16-1	13617-93900	.SPRING	1	
16-2	13268-96111	.SPRING	1	model:93-97
17	15100-92011	.PUMP ASSY, set	1	
18	15170-93911	.DIAPHRAGM SET	1	
19-1	09491-20011	JET, main (#102.5)	1	OPT
19-2	09491-97007	JET, main (#100)	1	OPT
19-3	09491-95008	JET, main (#95)	1	OPT

Refer to FIG.5 (B-8) for DT9.9C

FIG.5

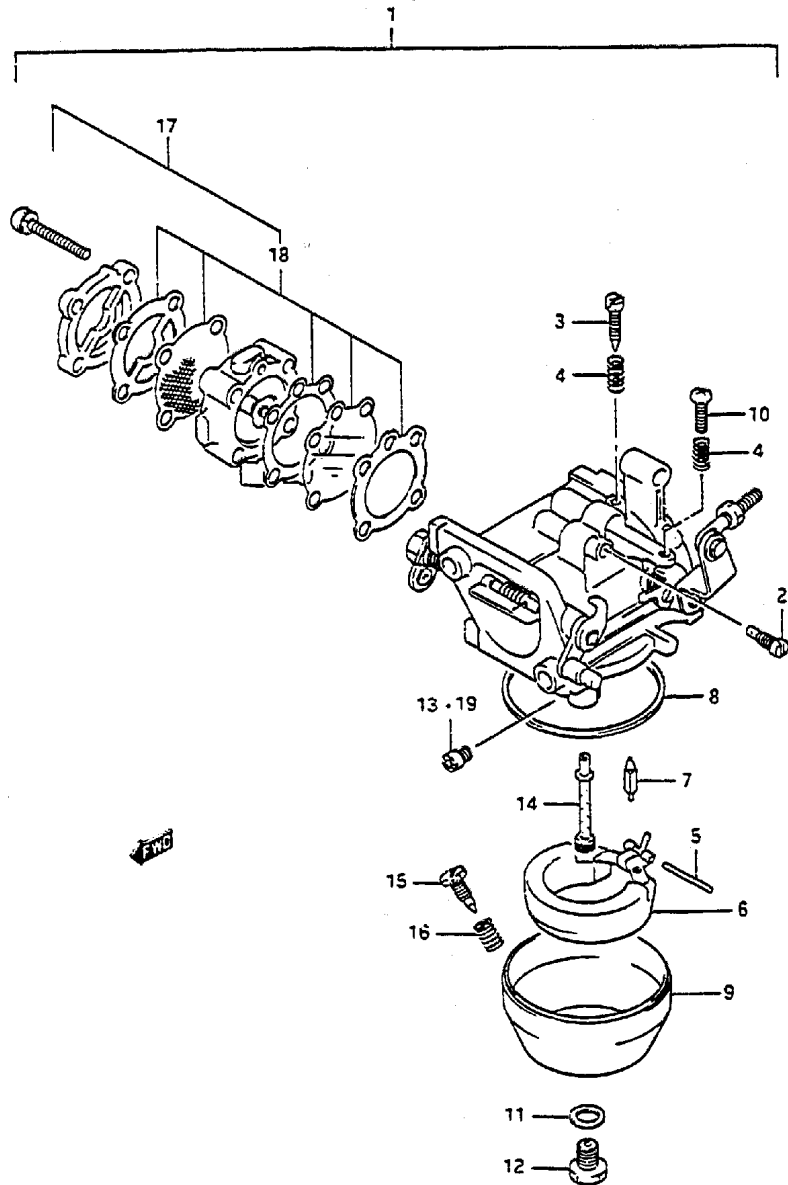
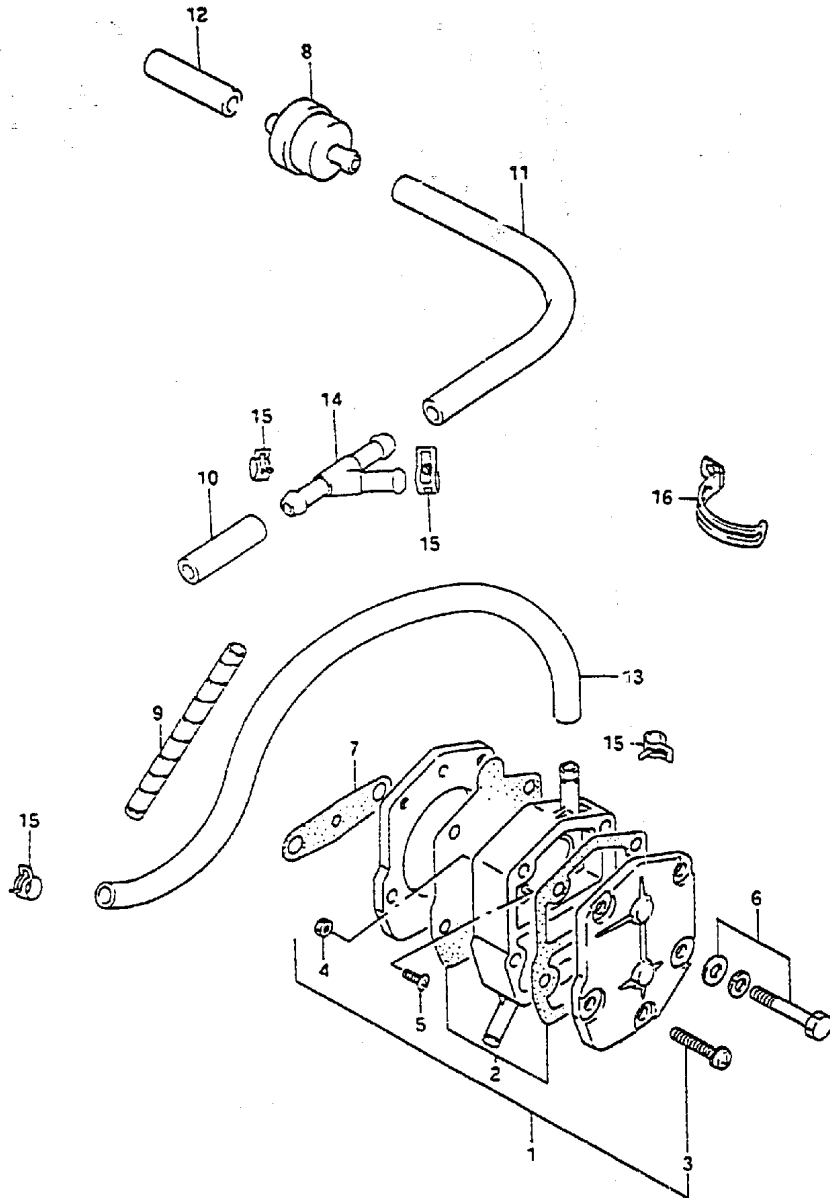


FIG.5 (8- 8) CARBURETOR (DT9.9C)

REF.NO.	PART NO.	DESCRIPTION	Q'TY	REMARKS
1-1	13200-92042	CARBURETOR ASSY	1	
1-2	13200-92060	CARBURETOR ASSY	1	type:sail
2-1	09492-60011	.JET, pilot (#60)	1	
2-2	09492-57003	.JET, pilot (#57.5)	1	model:91,92
2-3	09492-70001	.JET, pilot (#70)	1	model:93-97
3-1	13661-93900	.SCREW, pilot	1	model:88
3-2	13279-90000	.ADJUSTER	1	model:89-97
3-3	13661-93900	.SCREW, pilot	1	type:sail
4-1	13268-96110	.SPRING, throttle	1	model:88-90
4-2	13268-96111	.SPRING, throttle	1	model:91-97
5	13254-98100	.PIN, float	1	
6	13250-98110	.FLOAT	1	
7	13371-98100	.NEEDLE	1	
8	13251-98100	.GASKET, float chamber	1	
9	13245-98110	.CHAMBER ASSY, float	1	
10	13267-93900	.SCREW, throttle stop	1	
11	13343-98100	.GASKET	1	
12	13613-98100	.BOLT	1	
13-1	09491-26009	.JET, main (#130)	1	model:88
13-2	09491-27014	.JET, main (#137.5)	1	model:89-97
14-1	13235-92000	.NOZZLE	1	model:92
14-2	13235-91000	.NOZZLE	1	model:93-97
15	13616-93900	.ADJUSTER	1	
16-1	13617-93900	.SPRING	1	
16-2	13268-96111	.SPRING	1	model:91-97
17-1	15100-92D11	.PUMP SET	1	←15100-92D10
17-2	15100-92D20	.PUMP SET	1	type:sail,model:93-97
18	15170-93911	..DIAPHRAGM SET	1	
19-1	09491-27008	JET, main (#135)	1	OPT
19-2	09491-25014	JET, main (#125)	1	OPT
19-3	09491-24012	JET, main (#120)	1	OPT

FIG.5 A



8

FIG.5A (B- 9) FUEL PUMP (TYPE:SAIL)

REF.NO.	PART NO.	DESCRIPTION	Q'TY	REMARKS
1	15100-94303	PUMP ASSY, fuel	1	
2	15170-94311	.DIAPHRAGM SET	1	
3	15183-94301	.SCREW	2	
4	15186-94300	.NUT	2	
5	15851-94300	.SCREW	3	
6	01570-06457	BOLT	2	
7	15321-99710	GASKET, fuel pump	1	
8	15410-98500	FILTER ASSY, fuel	1	
9-1	16911-92E20	PROTECTOR	2	L:540*110
9-2	16911-92E20	PROTECTOR	2	L:540*210
10	09352-50903-600	HOSE (CONN to 3 way)	1	L:600*35
11	09352-50903-600	HOSE (3 way to filter)	1	L:600*140
12	09352-50903-600	HOSE (filter to pump)	1	L:600*420
13	09352-50903-600	HOSE (pump to carb)	1	L:600*170
14	09367-06005	3 WAY	1	
15	09401-08411	CLIP, fuel hose	8	
16	09404-08206	CLAMP	1	

FIG.6

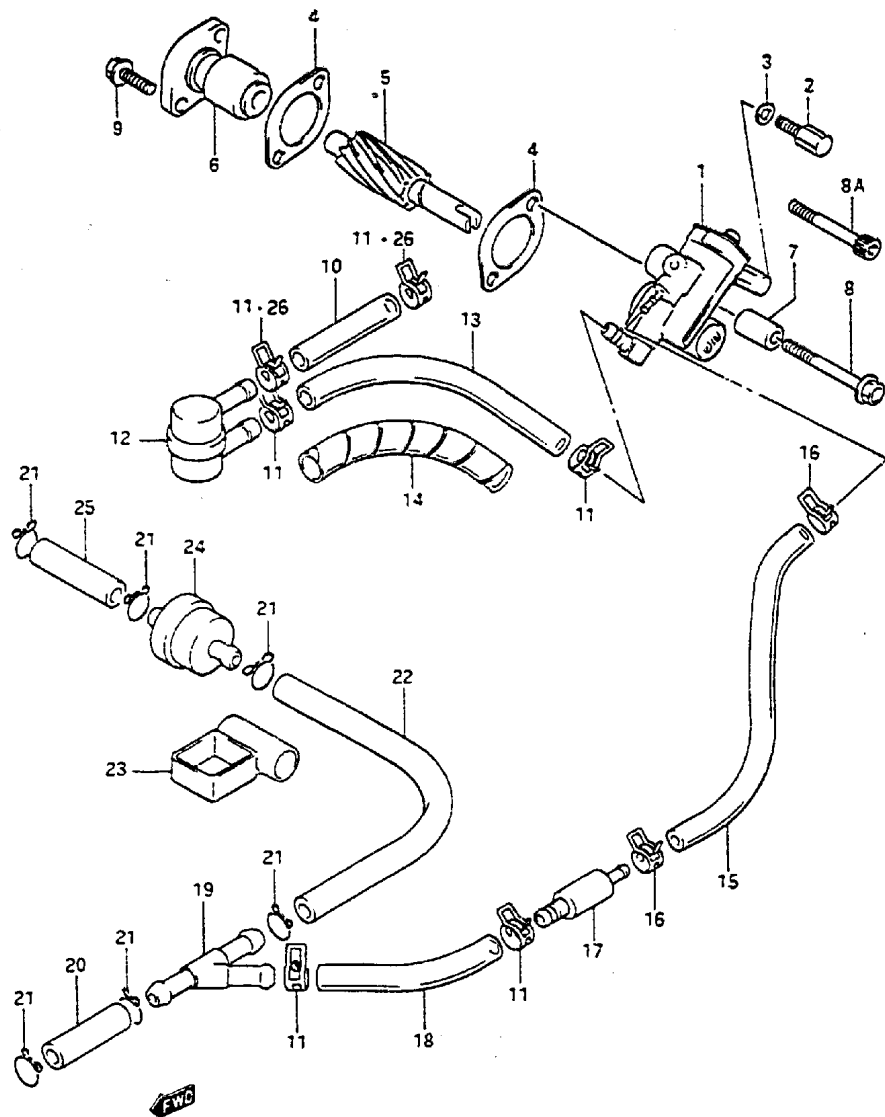


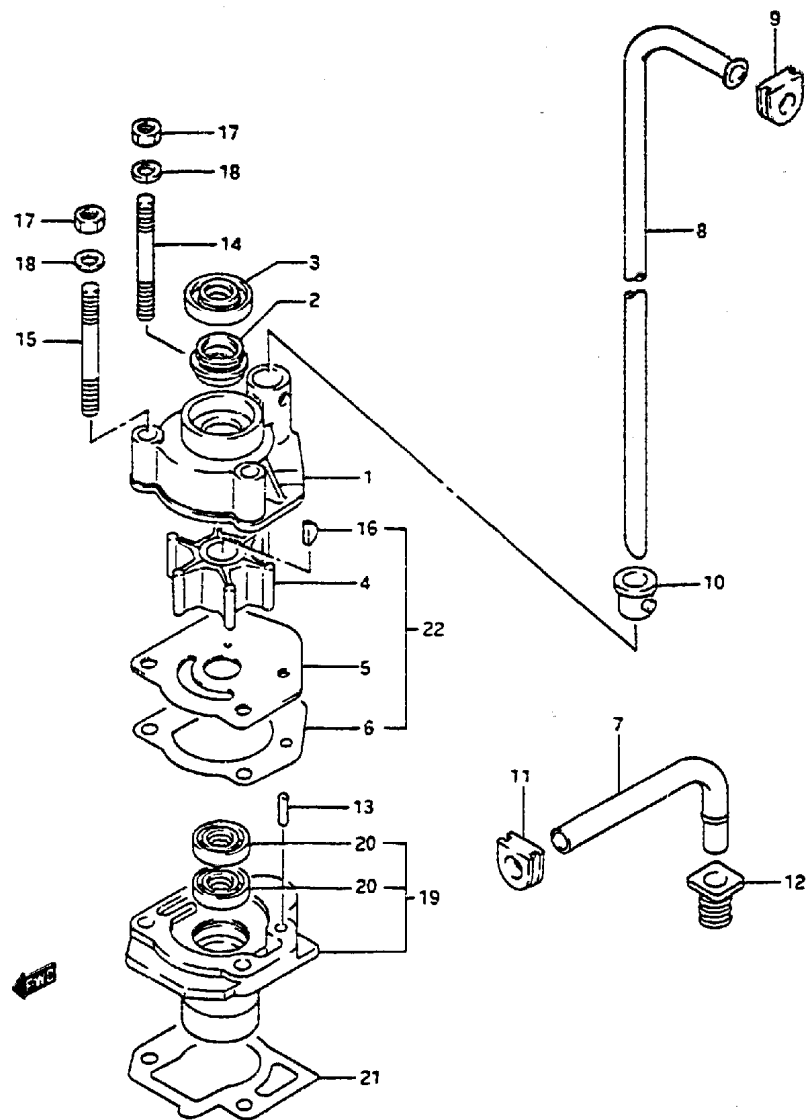
FIG.6 (B-10) OIL PUMP

Q'TY

REMARKS

REF.NO.	PART NO.	DESCRIPTION	Q'TY	REMARKS
1	16100-92011	PUMP ASSY, oil	1	
2	16191-94400	.SCREW, bleed	1	
3	16192-94400	.GASKET, bleed	1	
4	16731-92010	GASKET, oil pump	2	
5	16331-92000	GEAR, oil pump driven	1	
6	16340-92000	RETAINER, Oil pump	1	
7	09180-05030	SPACER, Oil pump	2	-model:96
8	01580-05357	BOLT	2	-model:96
8A	07130-05167	BOLT	2	model:97
9	02162-05167	BOLT	2	
10-1	09351-50803-600	HOSE, oil (oil tank to filter)	1	model:88-90,L:600-40
10-2	09352-50903-600	HOSE, oil (oil tank to filter)	1	model:91-97,L:600-40
11-1	09401-08409	CLIP	6	model:88-90
11-2	09401-08409	CLIP	4	model:91-97
12	16810-92000	FILTER, oil	1	
13	16921-92000	HOSE, oil (filter to oil pump)	1	L:150
14-1	16911-92E20	PROTECTOR	1	L:540-90
14-2	16911-92E20	PROTECTOR	1	L:540-110
15-1	09351-25703-600	HOSE, oil (oil pump to check valve)	1	model:88-90,L:600-150
15-2	09355-25705-600	HOSE, oil (oil pump to check valve)	1	model:91-97,L:600-150
16	09401-06405	CLIP	2	
17	16710-92E00	VALVE, check	1	type:Single
18-1	09351-50803-600	HOSE, oil (valve to 3way)	1	L:600-120
18-2	09351-50803-600	HOSE, oil (valve to 3way)	1	model:96,97,L:600-55
19	09367-06005	3 WAY	1	
20	09352-50903-600	HOSE (connec to 3way)	1	L:600-35
21	09401-08410	CLIP	6	
22	09352-50903-600	HOSE (3way to filter)	1	L:600-120
23	15811-92000	PROTECTOR	1	
24	15410-98500	FILTER, fuel	1	
25	09352-50903-600	HOSE (filter to carb)	1	L:600-40
26	09401-08411	CLIP	2	model:91-97

FIG.7



10

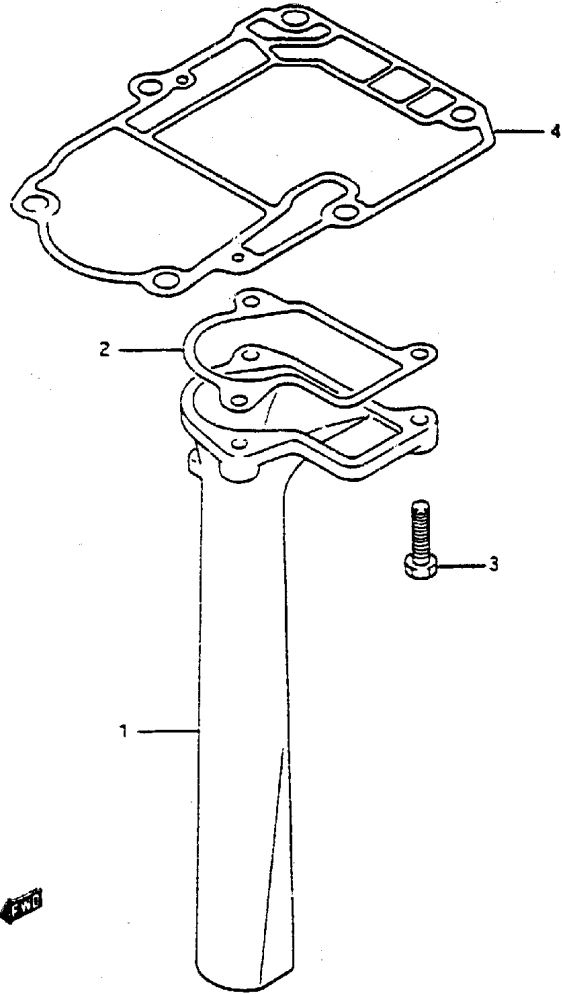
FIG.7 (B-11) WATER PUMP

Q'TY

REMARKS

REF.NO.	PART NO.	DESCRIPTION	Q'TY	REMARKS
1-1	17411-92003	CASE, water pump	1	model:88-91 →17410-92000 used with 17417-92000
1-2	17410-92000	CASE, water pump	1	model:92-97
2	17417-92000	.SEAL, water	1	model:92-97
3	09282-12008	.OIL SEAL (12x24x4.5)	1	
4	17461-92001	IMPELLER, water pump	1	
5	17471-92010	PANEL, pump case, under	1	
6	17472-92010	GASKET, case under	1	
7	17521-92002	TUBE, water inlet	1	
8-1	17560-92010	TUBE, water (S)	1	L:314
8-2	17560-92000	TUBE, water (L)	1	L:428
8-3	17560-92020	TUBE, water (UL)	1	L:555,type:sail
9	17563-92000	.GROMMET, water tube	1	
10	17564-93900	BUSH, water pump case	1	
11	17566-92001	GROMMET, WTR, upper	1	
12	17568-92000	GROMMET, WTR, lower	1	
13	09202-04008	PIN	1	
14	09108-06105	STUD BOLT (6x52)	1	
15	09108-06101	STUD BOLT (6x57)	2	
16	17462-93990	KEY	1	
17	09140-06020	NUT	3	
18	09162-06006	LOCK WASHER	3	
19	56130-92002	HOUSING, drive shaft BRG	1	
20	09282-12005	.OIL SEAL (12x22x5)	2	
21	56132-92010	GASKET, drive shaft BRG	1	
22	17400-92000	REPAIR KIT, water pump	1	OPT

FIG. 8



11

FIG. 8 (B-12) EXHAUST TUBE

REF. NO.	PART NO.	DESCRIPTION	Q'TY	REMARKS
1	14211-92001	TUBE, exhaust	1	
2	14213-92010	GASKET, exhaust tube	1	+14213-92000
3	09117-06039	BOLT (6x25)	3	
4	52113-92020	GASKET, drive shaft HSG	1	+52113-92010

FIG

FIG. 9

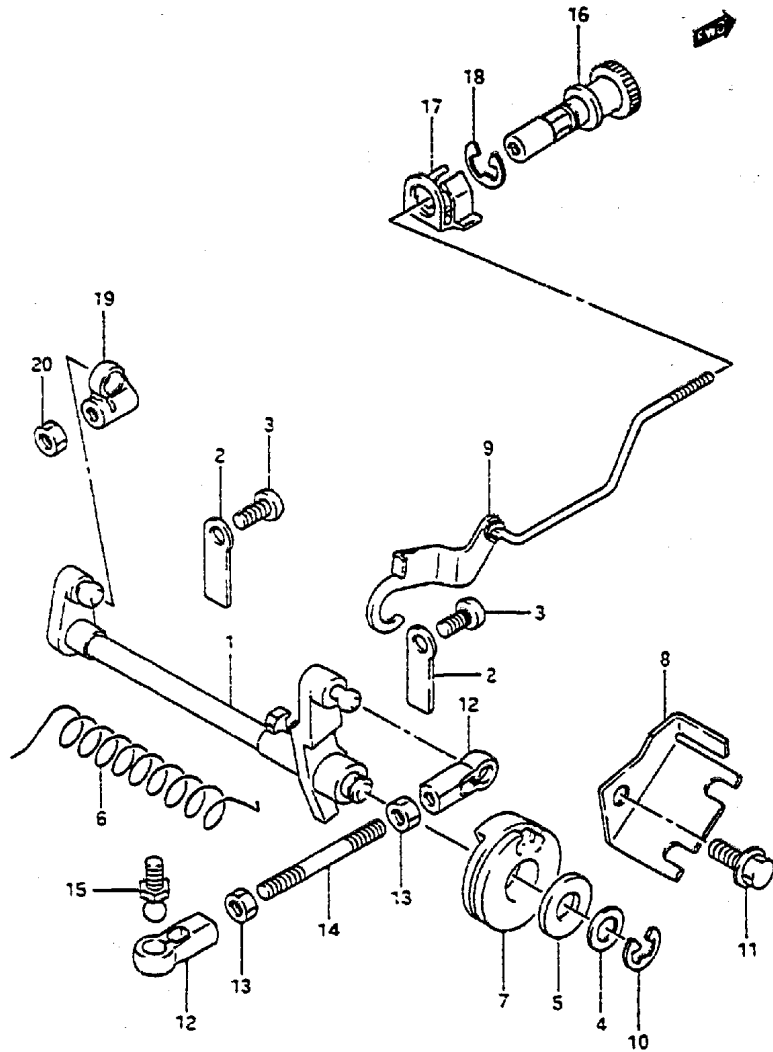


FIG. 9 (B-13) THROTTLE SHAFT

REF.NO.	PART NO.	DESCRIPTION	Q'TY	REMARKS
1-1	19110-92D10	SHAFT, throttle	1	model:88-90
1-2	19110-92D00	SHAFT, throttle	1	model:91-97
2	19115-92D00	HOLDER, throttle shaft	2	
3	02112-06107	SCREW	2	
4	09160-08082	WASHER (8.5x16x1.2)	1	
5	09161-08009	WASHER (8x20x2.0)	1	
6	19117-92D00	SPRING, throttle shaft	1	
7	19148-92D00	DRUM, throttle	1	
8	19184-92D01	BRACKET, throttle cable	1	
9	19830-92D00	ROD, slow adjust	1	
10	09383-07001	E RING	1	
11	02162-06127	BOLT	1	
12	19131-95502	CONNECTOR	2	
13	09140-05005	NUT	2	
14	19171-92D10	ROD, stator	1	
15	09119-05010	PIVOT, ball	1	
16	19841-92D00	KNOB, slow adjust	1	
17	19845-92D01	NOTCH, slow adjust	1	
18	09383-08005	E RING	1	
19	67467-92D00	CONNECTOR, CARB rod	1	
20	09140-05005	NUT	1	

FIG. 10

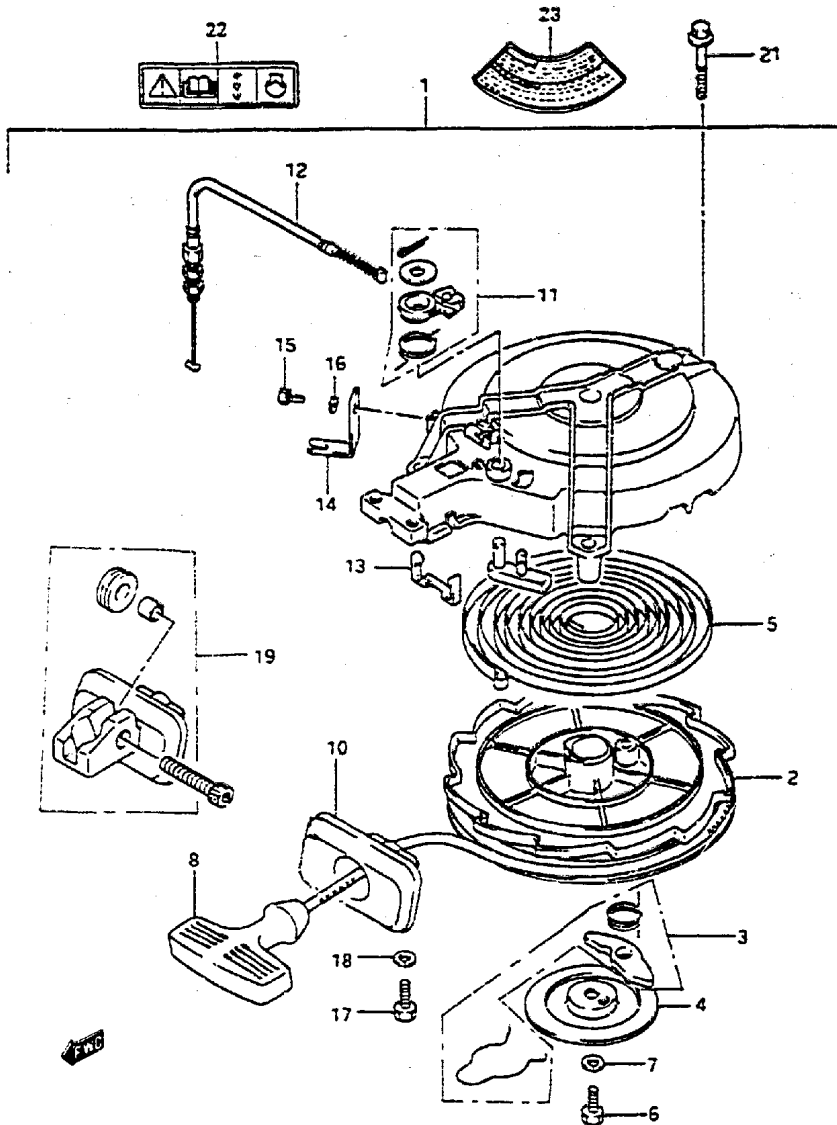
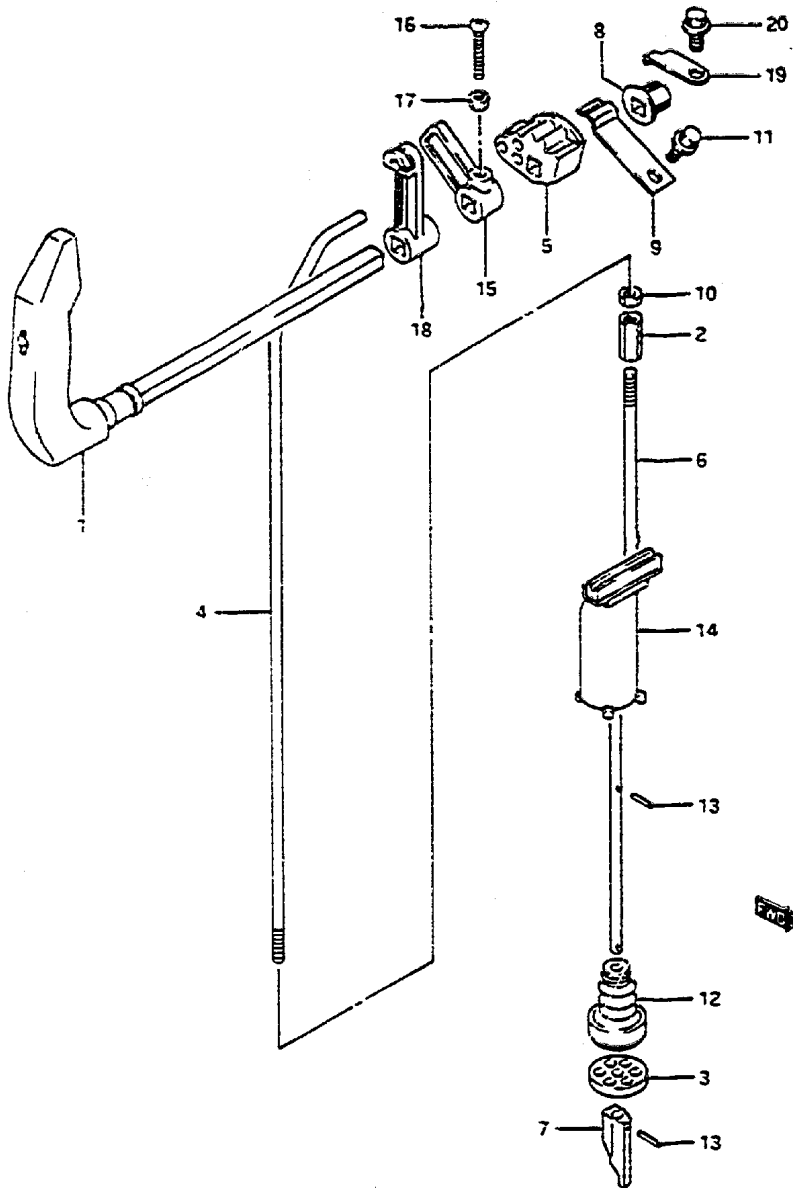


FIG.10 (B-14) STARTER

Q'TY

REF.NO.	PART NO.	DESCRIPTION	Q'TY	REMARKS
1-1	18100-92001	STARTER, re-coil	1	
1-2	18100-92011	STARTER, re-coil	1	type:sail
2	18120-93900	.DRUM, sheave	1	
3	18130-93900	.RATCHET SET	1	
4	18151-93900	.PLATE	1	
5	18142-93900	.SPRING	1	
6	01500-06167	.BOLT	1	
7	08321-01067	.LOCK WASHER	1	
8	18210-93002	.GRIP ASSY	1	
10	18181-93900	.GUIDE, rope	1	
11	18280-93900	.NSI SET	1	
12	18292-92000	.CABLE WIRE	1	
13	18186-92000	.GUIDE, holder	1	
14	18295-92000	.CABLE, holder	1	
15	01500-06127	.BOLT	1	
16	08321-01067	.LOCK WASHER	1	
17	01500-06167	.BOLT	1	
18	08321-01067	.LOCK WASHER	1	
19	18190-92000	.GUIDE SET	1	type:sail
21	09103-06095	BOLT (6x35)	3	
22	69711-93E00	LABEL, caution	1	
23	61582-98110	MARK, warning	1	

FIG. 11



1A

FIG. 11 (8-15) CLUTCH

REF. NO.	PART NO.	DESCRIPTION	Q'TY	REMARKS
1	21110-93912	LEVER, clutch	1	
2	23311-94300	TURNBUCKLE, clutch rod	1	
3	25211-92000	GUIDE, shift rod	1	
4	23111-92000	ROD, clutch	1	
5	23211-93900	ARM, clutch rod	1	
6-1	25111-92010	ROD, shift (S)	1	L:222
6-2	25111-92000	ROD, shift (L)	1	L:336
6-3	25111-92020	ROD, shift (UL)	1	L:463, type:sail
7	25311-93910	CAM, shift	1	
8	21220-93900	BUSH, clutch lever	1	
9	23213-93900	SPRING, notch plate	1	
10	09140-06020	NUT	1	
11	09103-06120	BOLT (6x12)	1	
12	25222-92000	BOOT, shift rod	1	
13	09205-02006	SPRING PIN	2	
14	25205-92000	STOPPER, shift rod	1	
15	21313-93900	ARM, electrical NSI	1	
16	02112-05167	SCREW	1	
17	08310-00057	NUT	1	
18	19851-92000	LEVER, NSI	1	
19	21126-92000	HOLDER, clutch shaft	1	
20	09103-06120	BOLT (6x12)	1	

FIG. 12

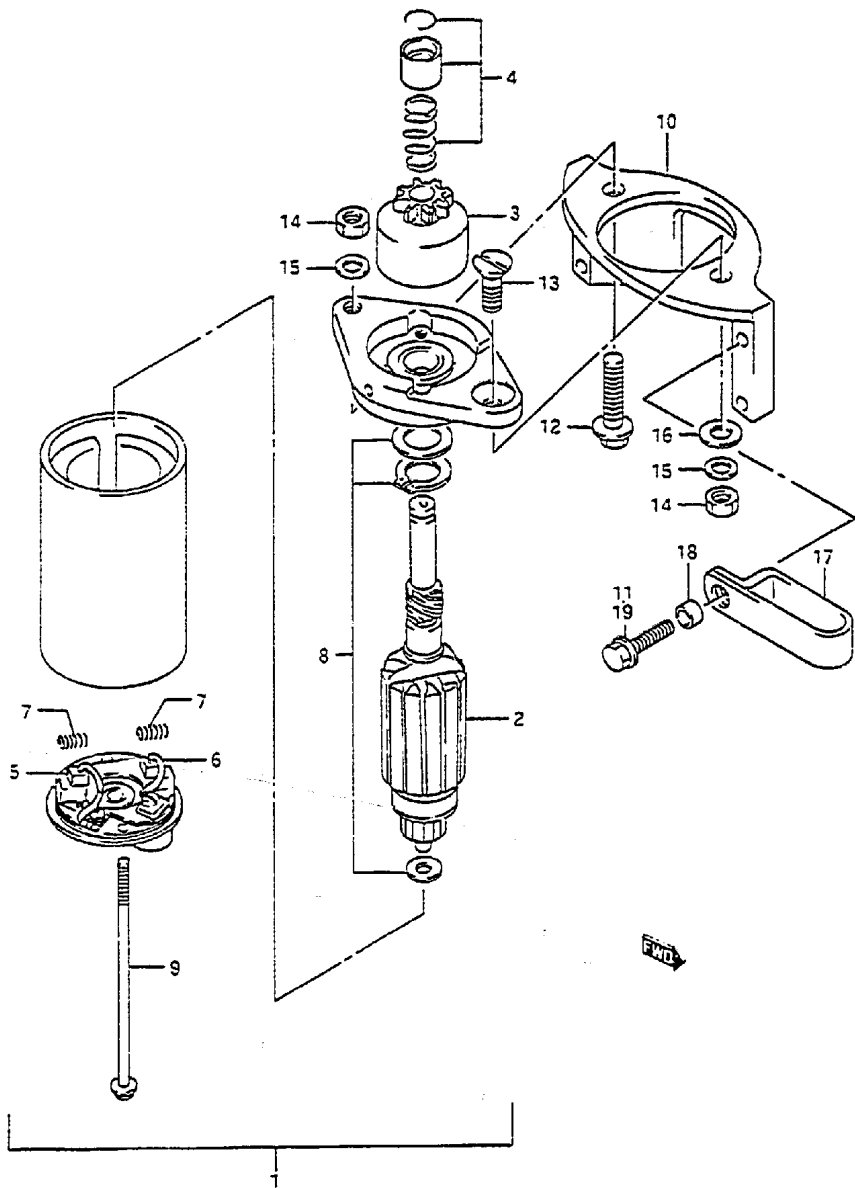


FIG.12 (C- 2) STARTING MOTOR

REF.NO.	PART NO.	DESCRIPTION	Q'TY	REMARKS
1	31100-92011	MOTOR ASSY, starting	1	
2	31310-92010	.ARMATURE, starter	1	
3	31320-92010	.PINION ASSY	1	
4	31312-92010	.STOPPER SET, pinion	1	
5	31131-89E00	.BRUSH, (+)	1	
6	31132-89E00	.BRUSH, (-)	1	
7	31135-92010	.SPRING	2	
8	31360-92010	.WASHER KIT	1	
9	31281-92010	.BOLT, starter housing	2	
10	31911-92001-0ED	BRACKET, starter	1	
11	02162-06257	BOLT	4	
12	01550-08307	BOLT	1	
13	09126-08008	SCREW	1	
14	08310-00087	NUT	2	
15	08321-01087	LOCK WASHER	2	
16	08322-01087	WASHER	2	
17	33816-92000	GUIDE, magneto leads	1	
18-1	09180-06140	SPACER, guide	1	
18-2	09180-06309	SPACER, guide	1	model:97
19	01550-06167	BOLT, guide	1	manual starter

COLOR : 0ED (Gray)

FIG. 13

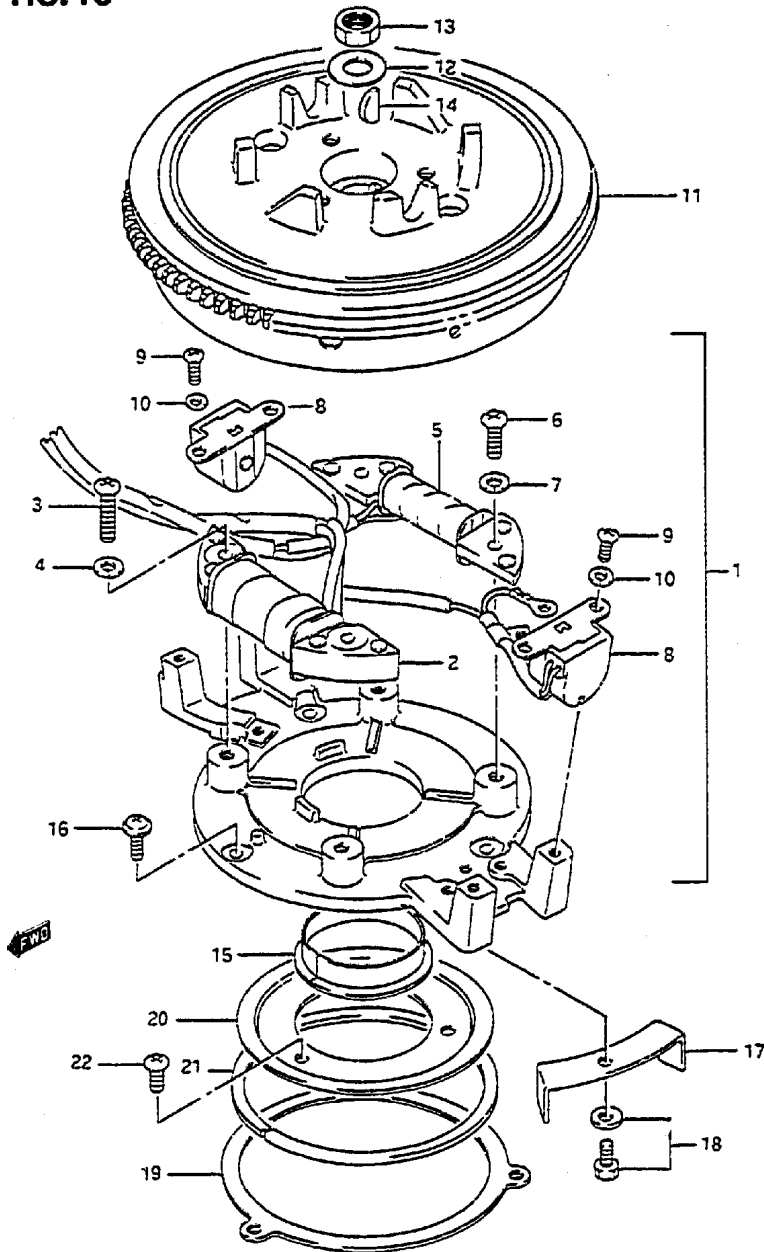


FIG.13 (C-3) MAGNETO

REF.NO.	PART NO.	DESCRIPTION	Q'TY	REMARKS
1-1	32101-92001	STATOR ASSY	1	electric starter
1-2	32101-92011	STATOR ASSY	1	manual starter
1-3	32101-92013	STATOR ASSY	1	manual starter model:94-97
1-4	32101-92001	STATOR ASSY	1	type:sail
1-5	32101-92013	STATOR	1	type:sail model:94-97
2	32200-92020	.COIL, lighting	1	
3	02112-06257	.SCREW	2	
4	08321-01067	.LOCK WASHER	2	
5	32140-92020	.COIL, ignition primary	1	
6	02112-06207	.SCREW	2	
7	08321-01067	.LOCK WASHER	2	
8	32160-92010	.SENSOR, ignition timing	2	
9	02112-05103	.SCREW	4	
10	08322-01057	.WASHER	4	
11	32102-92002	FLYWHEEL	1	
12	09160-12080	WASHER, flywheel	1	
13	09140-12038	NUT	1	
14	08341-31039	KEY	1	
15	32390-92000	RETAINER, magneto stator	1	
16	02142-05123	SCREW	3	
17-1	19172-92021	STOPPER, stator	1	DT8C
17-2	19172-92022	STOPPER, stator	1	DT8C:581477-
17-3	19172-92012	STOPPER, stator	1	DT9.9C
17-4	19172-92013	STOPPER, stator	1	DT9.9C,model:96,97
18	02162-05107	BOLT	1	
19	19181-92000	FRICTION, stator	1	
20	19151-92000	RETAINER, stator	1	
21	19161-92000	SPACER, stator	1	
22-1	09125-06063	SCREW	3	
22-2	02112-06107	SCREW	3	model:94-97

FIG. 14

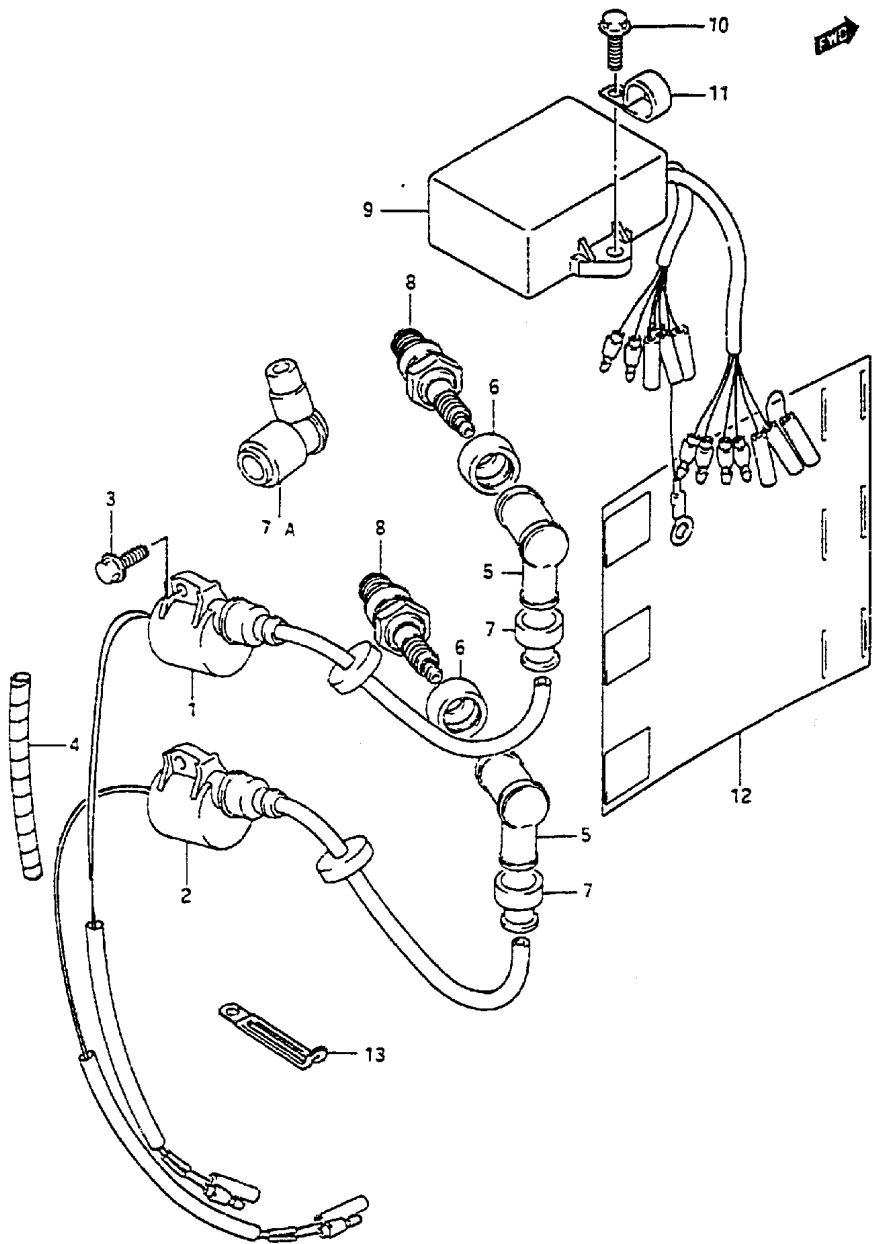


FIG.14 (C- 4) IGNITION

Q'TY

REF.NO.	PART NO.	DESCRIPTION	Q'TY	REMARKS
1-1	33410-92D01	COIL, ignition	1	model:88
1-2	33410-92D10	COIL, ignition	1	model:89-97
2-1	33420-92D01	COIL, ignition	1	model:88
2-2	33420-92D10	COIL, ignition	1	model:89-97
3	01550-06167	BOLT	2	
4	38423-95510	TUBE (L:150)	1	L:150*100
5-1	33510-95520	CAP, spark plug	2	
5-2	33510-97313	CAP, spark plug	2	~model:93
6	33541-93950	SEAL, spark plug	2	~model:93
7	33542-38800	SEAL, hightension cord	2	~model:93
7A	33510-98600	CAP, spark plug	2	model:94-97
8-1	09482-00338	PLUG, spark (B6HS)	2	
8-2	09482-00341	PLUG, spark (BR6HS)	2	model:93-97
9-1	32900-92D01	CDI UNIT	1	model:88
9-2	32900-92D20	CDI UNIT	1	model:89-97
10	01550-06207	BOLT	2	
11	09403-14204	CLAMP	1	
12	32916-92D00	WRAPPER, leads	1	
13	09404-08206	CLAMP (L:82)	1	

FIG. 15

18

FIG.15 (C- 5) ELECTRICAL (ELECTRIC STARTER)

Q'TY

REMARKS

REF.NO.	PART NO.	DESCRIPTION	Q'TY	REMARKS
1-1	37721-89E01	SWITCH, neutral starting	1	
1-2	37721-89E02	SWITCH, neutral starting	1	model:97
2	37725-94302	ACTUATOR, neutral switch	1	
3	37726-94402	BRACKET, neutral switch	1	
4	09118-06038	BOLT (6x12)	1	
5	09180-06309	SPACER	1	
6	31800-94401	RELAY, starter	1	
7	31805-95501	BRACKET, motor relay	1	
8	02112-35087	SCREW	2	
9	37801-98300	LEAD, receptacle ground	1	manual starter type:sail
10	33820-89E01	CABLE, plus TERM to relay	1	
11	32800-95001	RECTIFIER	1	
12	32815-92000	BRACKET, rectifier	1	
13	02142-05257	SCREW	1	
14	08310-00057	NUT	1	
15	08321-01057	LOCK WASHER	1	
16-1	36740-89E00	CASE, fuse	1	electric starter
16-2	36740-92D52	CASE, fuse	1	manual starter,type:sail
17	09408-00043	HOLDER, fuse case	1	-model:94
18	09408-00168	CLAMP	1	model:95-97
19	01550-06167	BOLT	2	
20	36610-92D00	HARNESS, wiring	1	
21	36615-96300	TERMINAL	1	

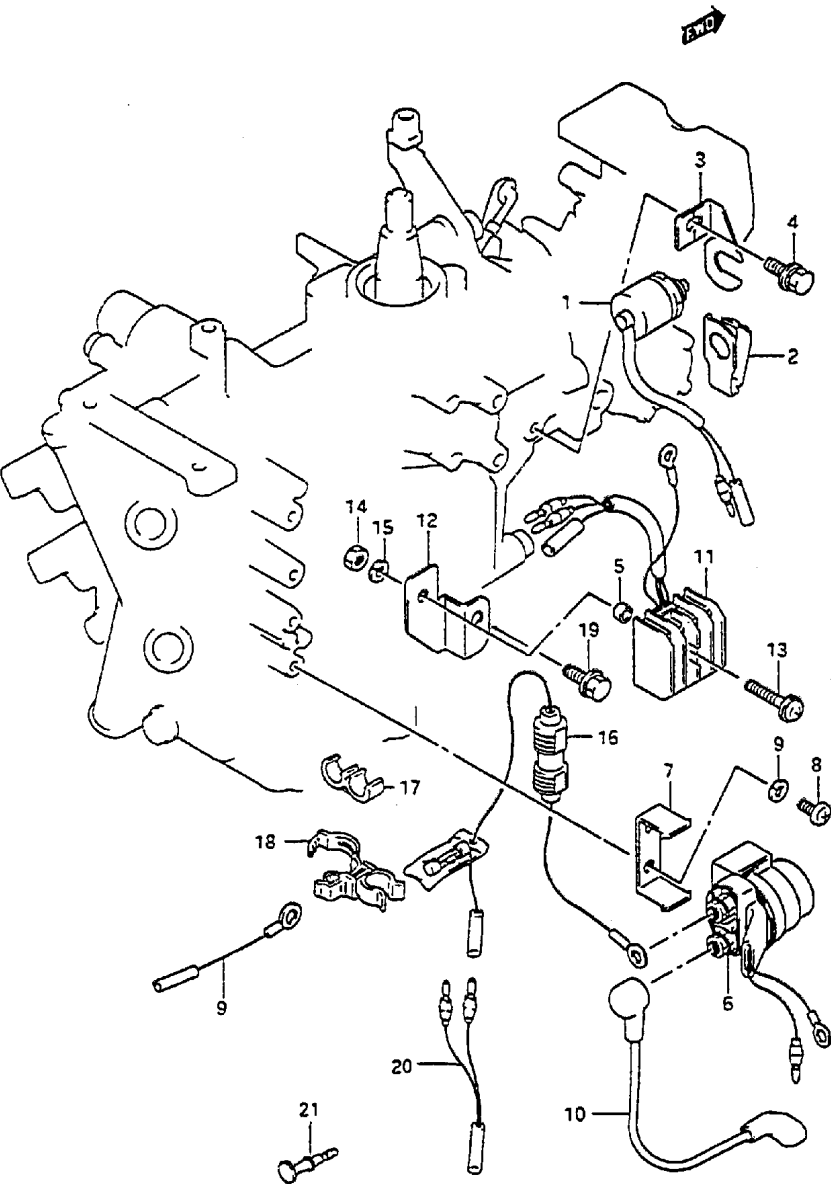


FIG.16

FIG.16 (C- 6) ELECTRICAL

Q'TY

REMARKS

REF.NO.	PART NO.	DESCRIPTION	Q'TY	REMARKS
1-1	37830-89X50	SWITCH, emergency	1	model:88
1-2	37830-89E00	SWITCH, emergency	1	model:89-92
2	33810-92D00	CABLE, starter	1	electric starter
3	33811-96300	GROMMET, starter cable	1	electric starter
4	33816-96300	CLAMP	1	electric starter
5	03242-06253	SCREW	1	electric starter
6	37161-89E12	SWITCH, starting motor	1	electric starter
7	09159-14014	NUT	1	electric starter
8-1	36360-89E00	INDICATOR, oil level	1	model:88
8-2	36360-92D20	INDICATOR, oil level	1	model:89-97
9-1	36632-95501	CLAMP	1	manual starter
9-2	09407-25402	CLAMP	1	manual starter model:96,97
10	39601-92D00	RECEPTACLE, lighting	1	manual starter
11	36634-93910	.CAP	1	
12	39603-92D00	GROMMET	1	manual starter
13	36895-92D10	LEAD	1	
14	09103-06D49	BOLT (6x16)	1	
15-1	36896-92D00	LEAD	1	
15-2	33445-94710	LEAD, ground	1	model:94-97
16-1	38423-95510	TUBE (L:150)	1	L:150+100
16-2	38423-95510	TUBE (L:150)	1	type:sail
17	37830-89E00	SWITCH ASSY, emergency & stop	1	model:93-97
18	37826-92E00	.NUT	1	model:93-97
19	37823-92E00	.PLATE, lock	1	model:93-97
20	09160-12067	WASHER	1	model:93-97
21	37835-95D00	LABEL, stop	1	
22	37823-94400	CAP ASSY, emerg. stop sw	1	MODEL:88-92

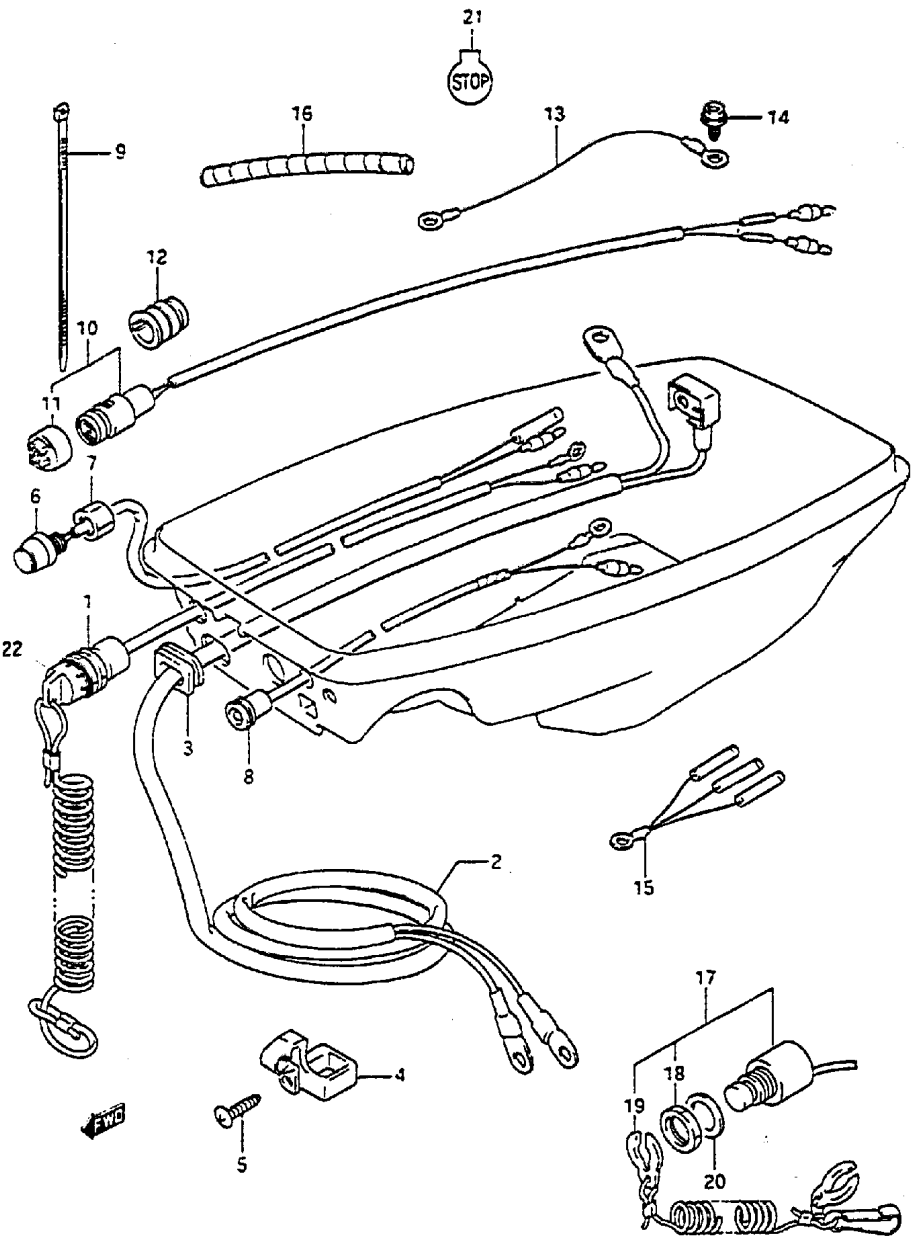
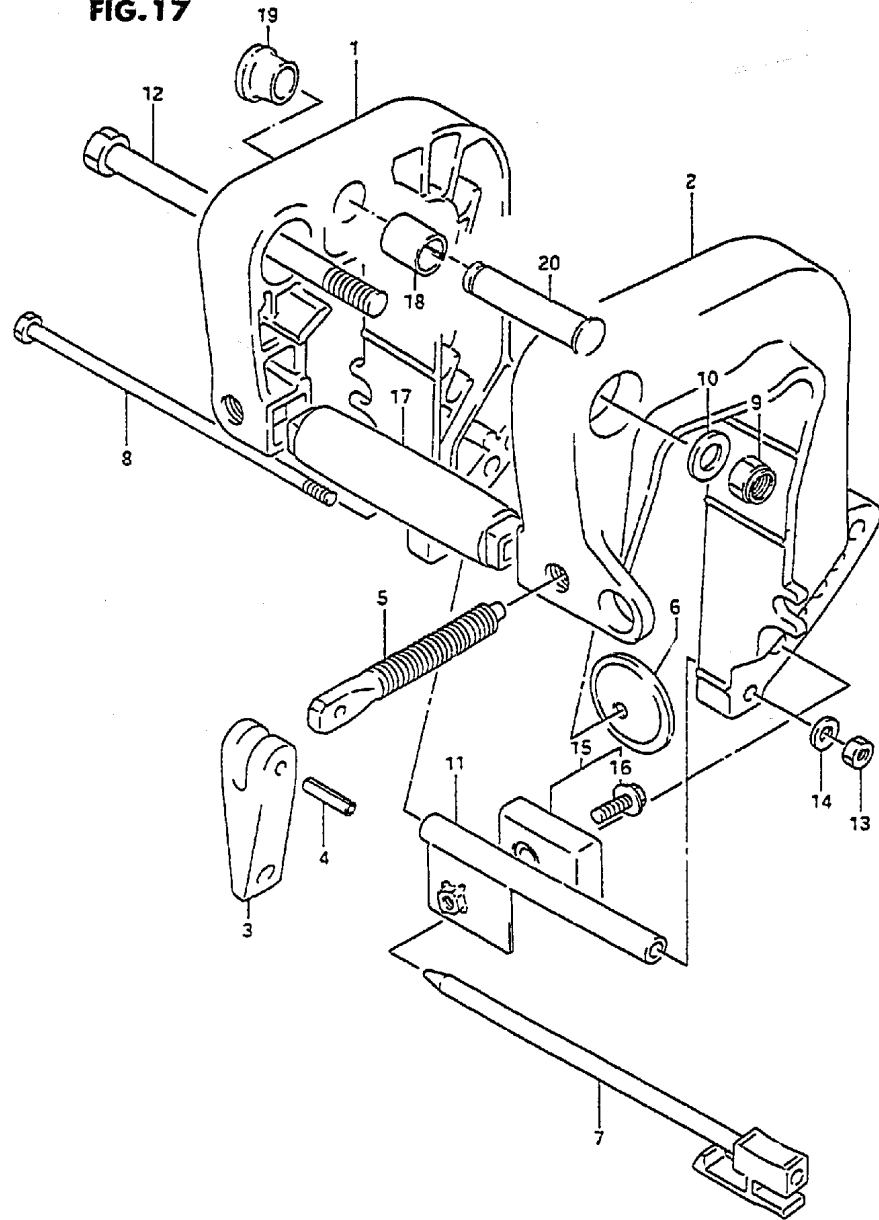


FIG.17



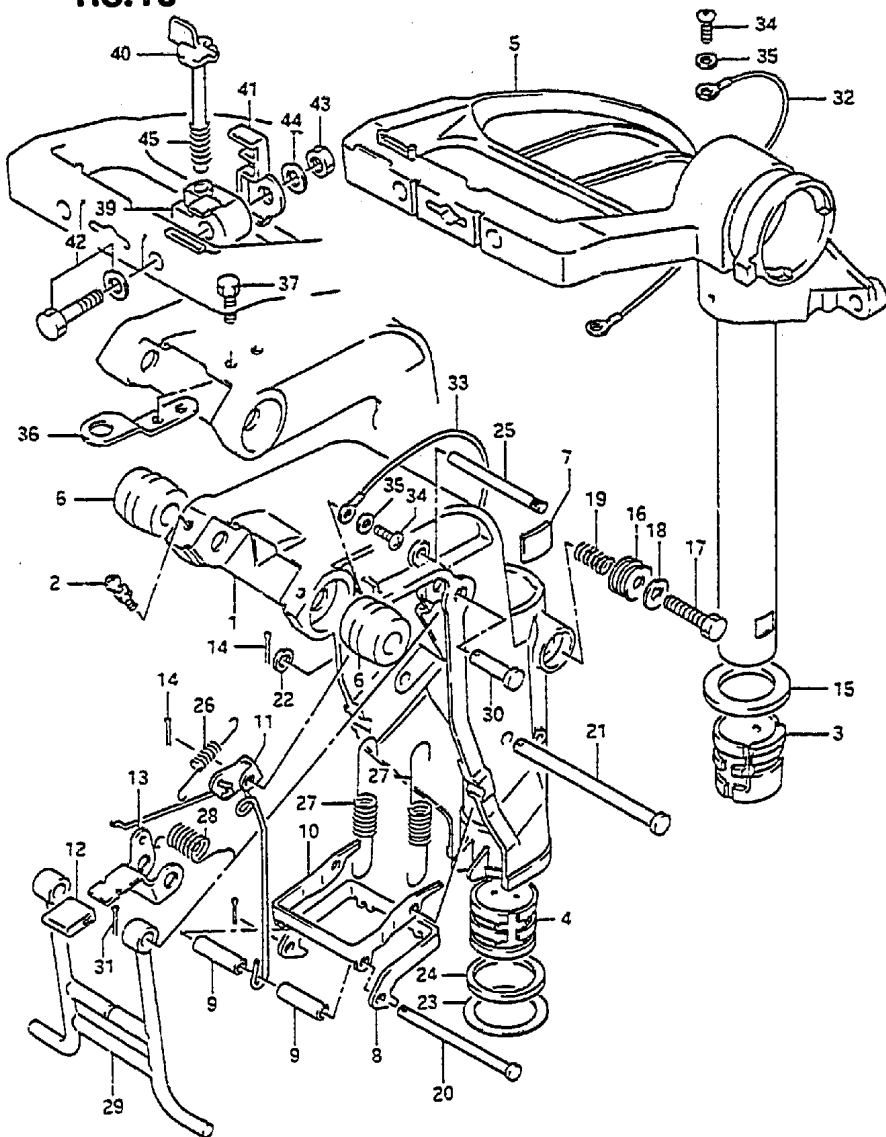
20

FIG.17 (D- 2) CLAMP BRACKET

REF.NO.	PART NO.	DESCRIPTION	Q'TY	REMARKS
1-1	41111-92080-OED	BRACKET, clamp STBD	1	model:88-91
1-2	41111-92021-OED	BRACKET, clamp STBD	1	model:92-95
1-3	41111-92030-OED	BRACKET, clamp STBD	1	model:96,97
2	41121-92011-OED	BRACKET, clamp PORT	1	
3	41212-98601	HANDLE, clamp	2	
4	09205-05013	SPRING PIN	2	
5	41211-98600	SCREW, clamp	2	
6	41213-98100	PLATE, clamp	2	
7	45420-92002	PIN, tilt lock	1	
8	09100-06125	BOLT (6x140)	1	
9	09140-06020	NUT	1	
10	09162-06006	LOCK WASHER	1	
11	41310-93900	ROD	1	
12	09100-10188	BOLT (10x155)	1	
13	09159-10050	NUT	1	
14	09160-10082	WASHER	1	
15	55320-95310	ZINC SET, protection	1	
16	09116-06092	.BOLT	1	
17-1	41411-92001	GRIP, carrier	1	
17-2	41411-92002	GRIP, carrier	1	model:96,97
18	09303-14003	BUSH	1	DT8C:~581351 DT9.9C:~581450
19	41221-96301	KNOB, tilt stopper	1	DT8C:~581351 DT9.9C:~581450
20	41222-93910	PIN, tilt stopper	1	DT8C:~581351 DT9.9C:~581450

COLOR : OED (Gray)

FIG. 18



21

FIG.18 (D- 3) SWIVEL BRACKET

Q'TY

REF.NO.	PART NO.	DESCRIPTION	Q'TY	REMARKS
1	43111-92030-OED	BRACKET, swivel	1	
2	22511-99010	NIPPLE, grease	3	
3	43711-92000	BUSH, steering upper	1	
4	43712-92000	BUSH, steering lower	1	
5	43750-92003-OED	BRACKET, steering	1	
6	09306-10016	BUSH	2	
7	43411-92000	PLATE, steering adjuster	1	
8	45231-92000	ARM, reverse lock	1	
9-1	09180-05029	SPACER	2	
9-2	09180-05060	SPACER	2	model:97
10	45241-92000	LINK, reverse lock arm	1	
11	45250-92000	LINK, release	1	
12	45255-92010	KNOB, release lever	1	
13-1	45261-92002	LEVER, release	1	
13-2	45261-92011	LEVER, release	1	type:sail
14	09204-01001	COTTER PIN	3	
15	43721-92000	PLATE, upper bush	1	
16	43412-93900	COVER, adjuster	1	
17	09100-08232	BOLT (8x30)	1	
18	09160-08082	WASHER (8.5x16x1.2)	1	
19	09440-11022	SPRING	1	
20	09200-05014	PIN	1	
21	09200-06061	PIN	1	
22	09160-06082	WASHER	1	
23	09160-30046	WASHER	1	
24	09284-30001	OIL SEAL (30x38x4)	1	
25	45254-92000	PIN, release arm	1	
26	09443-08048	SPRING, release lever link	1	
27	09443-13027	SPRING, reverse lock	2	
28	09448-13011	SPRING, release lever	1	

COLOR : OED (Gray)

FIG.19

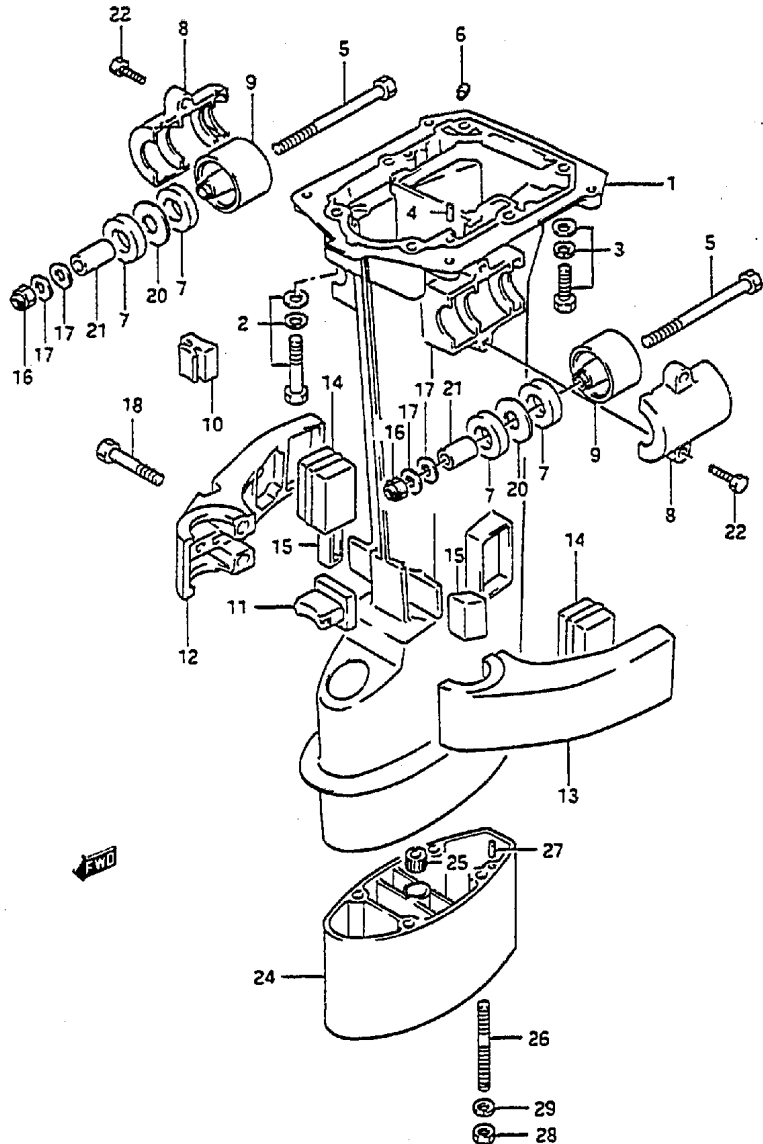


FIG.19 (D- 5) DRIVESHAFT HOUSING

REF.NO.	PART NO.	DESCRIPTION	Q'TY	REMARKS
1-1	52111-92030-OED	HOUSING, drive shaft (S)	1	L:353
1-2	52111-92020-OED	HOUSING, drive shaft (L)	1	L:467
1-3	52111-92020-OED	HOUSING, drive shaft	1	type:sail
2	09118-08090	BOLT (8x52)	2	
3	09118-08112	BOLT (8x30)	2	
4	09205-04019	KNOCK PIN	2	
5	09100-08213	BOLT (8x100)	2	
6	52117-92000	TUBE, water INSP	1	
7	54121-92000	STOPPER, upper	4	
8	54137-92000-OED	COVER, upper mounting	2	
9-1	54130-92000	MOUNT, upper	2	
9-2	54130-92010	MOUNT, upper	2	type:sail
10	54145-92001	CUSHION, upper mount	1	
11	54151-92001	MOUNT, lower thrust	1	
12	54211-92001-OED	COVER, lower mounting STBD	1	
13	54221-92001-OED	COVER, lower mounting PORT	1	
14-1	54167-92010	MOUNT, lower side	2	
14-2	54167-92020	MOUNT, lower side	2	type:sail
15	54171-92000	CUSHION, lower side	2	
16-1	09159-08059	NUT	2	
16-2	09159-08104	NUT	2	model:95-97
17	09160-08082	WASHER	4	
18	09117-08055	BOLT (8x50)	2	
20	09160-08084	WASHER	2	
21	09180-08148	SPACER	2	
22	09117-06039	BOLT (6x25)	4	
24	52131-92001-OED	CASE, extension	1	type:sail
25	52211-92000	BUSH, extension	1	type:sail
26	09108-08104	STUD BOLT	4	type:sail
27	09202-06023	PIN	2	type:sail
28	09140-08016	NUT	4	type:sail
29	09162-08007	LOCK WASHER	4	type:sail

COLOR : OED (Gray)

FIG. 20

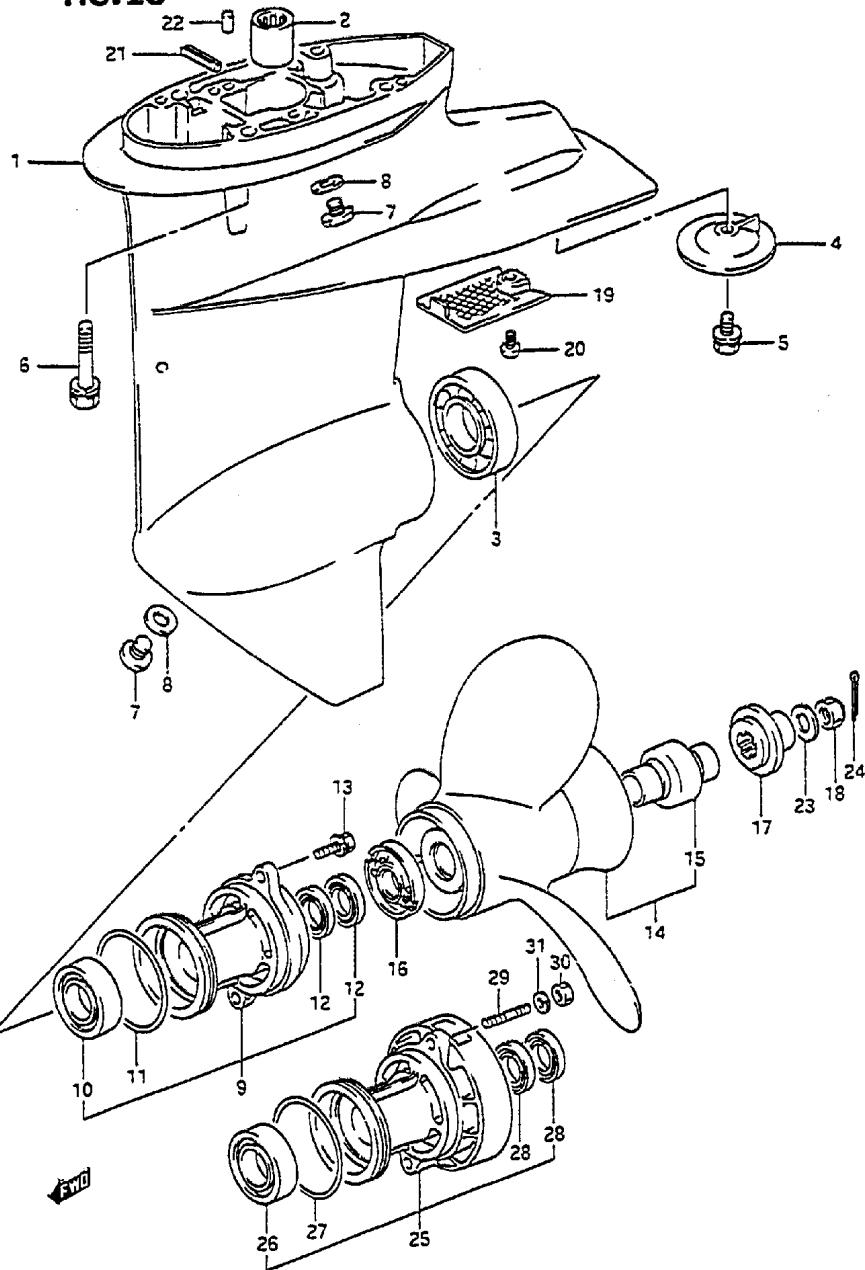


FIG. 20 (D- 6) GEAR CASE

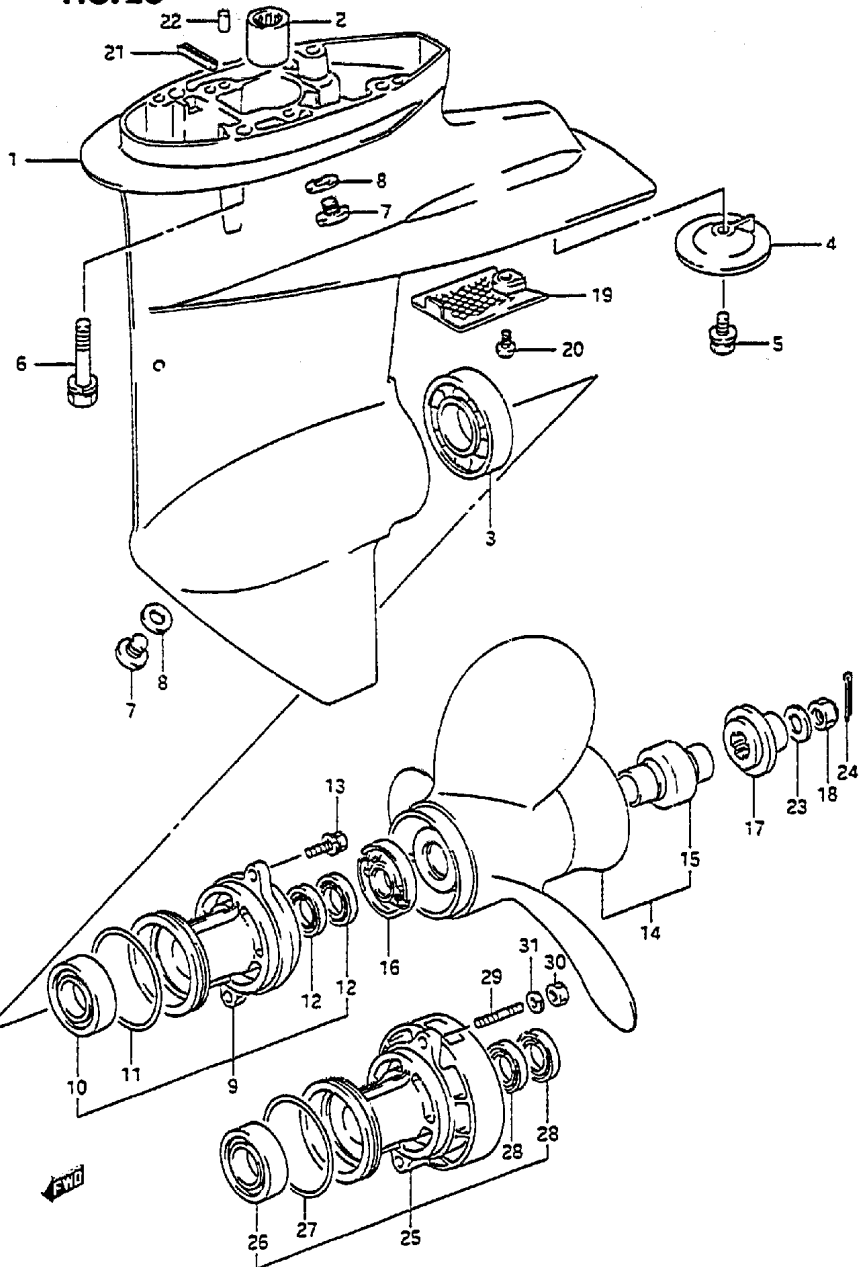
Q'TY

REMARKS

REF.NO.	PART NO.	DESCRIPTION	Q'TY	REMARKS
1	55100-92D01-OED CASE, gear		1	
2	09263-12025	.BEARING (12x19x20)	1	
3	09262-20069	.BEARING (20x47x14)	1	
4	55321-93900	.ZINC, protection	1	
5	09116-06794	.BOLT (6x15)	1	
6	09117-08045	BOLT (8x35)	4	
7	09248-10008	PLUG	3	
8	09168-10022	GASKEY (10x17x1.5)	3	
9	56120-92D00-OED HOUSING, propeller shaft		1	
10	09262-22021	.BEARING (22x44x12)	1	
11	09280-52004	.O RING	1	
12	09282-16003	.OIL SEAL (16x28x5)	2	
13	09117-06031	BOLT (6x20)	2	
14-1	58100-92D01-019 PROPELLER, 3x9x7-1/4 (E700)		1	
14-2	58100-92D11-019 PROPELLER, 3x9x8-1/4 (E800)		1	
14-3	58100-92D21-019 PROPELLER, 3x9x9-1/4 (E900)		1	
14-4	58100-92D62-019 PROPELLER, 3x10x6-1/2 (EY610)		1	type:sail
15-1	58120-92D00	.BUSH, propeller	1	
15-2	58120-92D01	.BUSH, propeller	1	model:95-97
16	57632-92D00	STOPPER, propeller bush	1	
17	57633-92D00	SPACER, propeller nut	1	
18-1	09159-10050	NUT	1	
18-2	09141-10007	NUT	1	model:95-97
19	17631-92D01	FILTER, water	1	

COLOR : OED (Gray)
019 (Black)

FIG. 20



25

FIG.20 (D- 7) GEAR CASE

REF.NO.	PART NO.	DESCRIPTION	Q'TY	REMARKS
20	09125-06063	SCREW	1	
21	55332-92000	RUBBER, exhaust seal	1	
22	09202-06023	KNOCK PIN	2	
23	09160-10082	WASHER	1	
24	09204-02004	COTTER PIN	1	
25	56120-92020-OED	HOUSING, propeller shaft	1	type:sail
26	09262-22021	.BEARING	1	type:sail
27	09280-52004	.O RING	1	type:sail
28	09282-16003	.OIL SEAL	2	type:sail
29	09108-06106	STUD BOLT	2	type:sail
30	09140-06020	NUT	2	type:sail
31	09162-06006	LOCK WASHER	2	type:sail

COLOR : OED (Gray)

FIG. 21

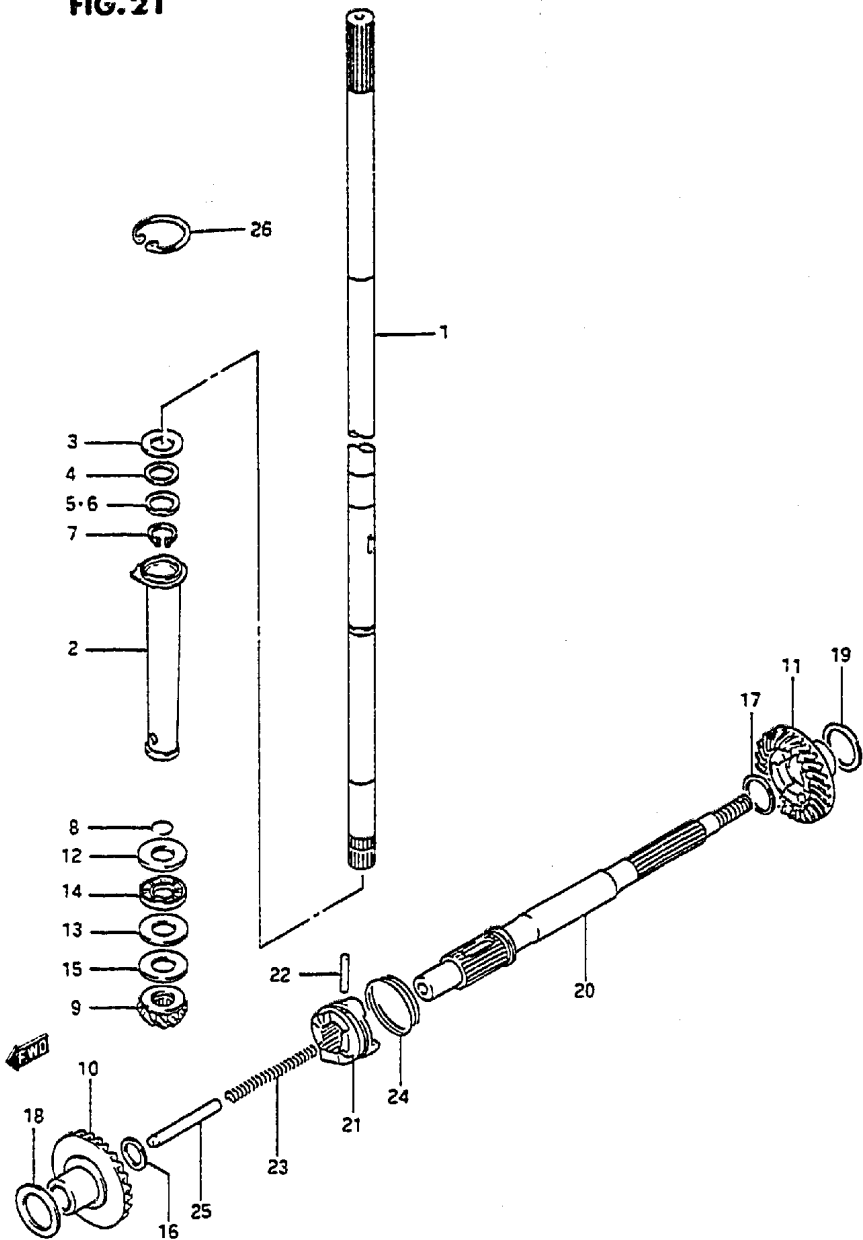


FIG. 21 (D- 8) TRANSMISSION

REF.NO.	PART NO.	DESCRIPTION	Q'TY	REMARKS
1-1	57110-92015	SHAFT ASSY, drive (S)	1	L:605.5
1-2	57110-92002	SHAFT ASSY, drive (L)	1	L:719.5 DT8C:-012145 DT9.9C:-012439
1-3	57110-92005	SHAFT ASSY, drive (L)	1	L:719.5 DT8C:012146- DT9.9C:012440-
1-4	57110-92025	SHAFT ASSY, drive (UL)	1	L:846.5,type:sail
2	57133-92002	COLLAR, drive shaft	1	
3	08211-14221	WASHER, upper (T:1.0)	1	
4-1	08221-12185	WASHER, lower (T:0.5)	1	model:88-90
4-2	08221-12185	WASHER, lower (T:0.5)	2	model:91-96
4-3	09181-12130	WASHER, lower (T:0.5)	2	model:97
5	08211-12181	WASHER, lower (T:1.0)	1	model:88-90
6-1	08221-14226	WASHER (T:0.8)	2	model:91-96
6-2	09181-14162	WASHER (T:0.8)	2	model:97
7	08331-31126	CIRCLIP	1	
8	09380-12006	SNAP RING	1	model:88-90
9	57311-92003	PINION	1	
10	57510-92000	GEAR, forward	1	
11	57521-92000	GEAR, reverse	1	
12	09160-18024	WASHER, upper (T:2.75)	1	
13	09160-17044	WASHER, lower (T:2.75)	1	
14	09263-17040	BEARING, pinion	1	
15-1	08221-17305	SHIM, pinion (T:0.5)	1	
15-2	09181-17214	SHIM, pinion (T:0.5)	1	model:97
15-3	09181-17015	SHIM, pinion (T:0.6)	2	
15-4	09181-17215	SHIM, pinion (T:0.6)	2	model:97
15-5	09181-17016	SHIM, pinion (T:0.7)	1	
15-6	09181-17216	SHIM, pinion (T:0.7)	1	model:97
15-7	08221-17306	SHIM, pinion (T:0.8)	1	
15-8	09181-17218	SHIM, pinion (T:0.8)	1	model:97
15-9	09181-17017	SHIM, pinion (T:0.9)	1	
15-10	09181-17220	SHIM, pinion (T:0.9)	1	model:97
15-11	08211-17301	SHIM, pinion (T:1.0)	1	
15-12	09181-17223	SHIM, pinion (T:1.0)	1	model:97
16	09160-13012	WASHER, PROP FWD (T:1.0)	1	

FIG. 21

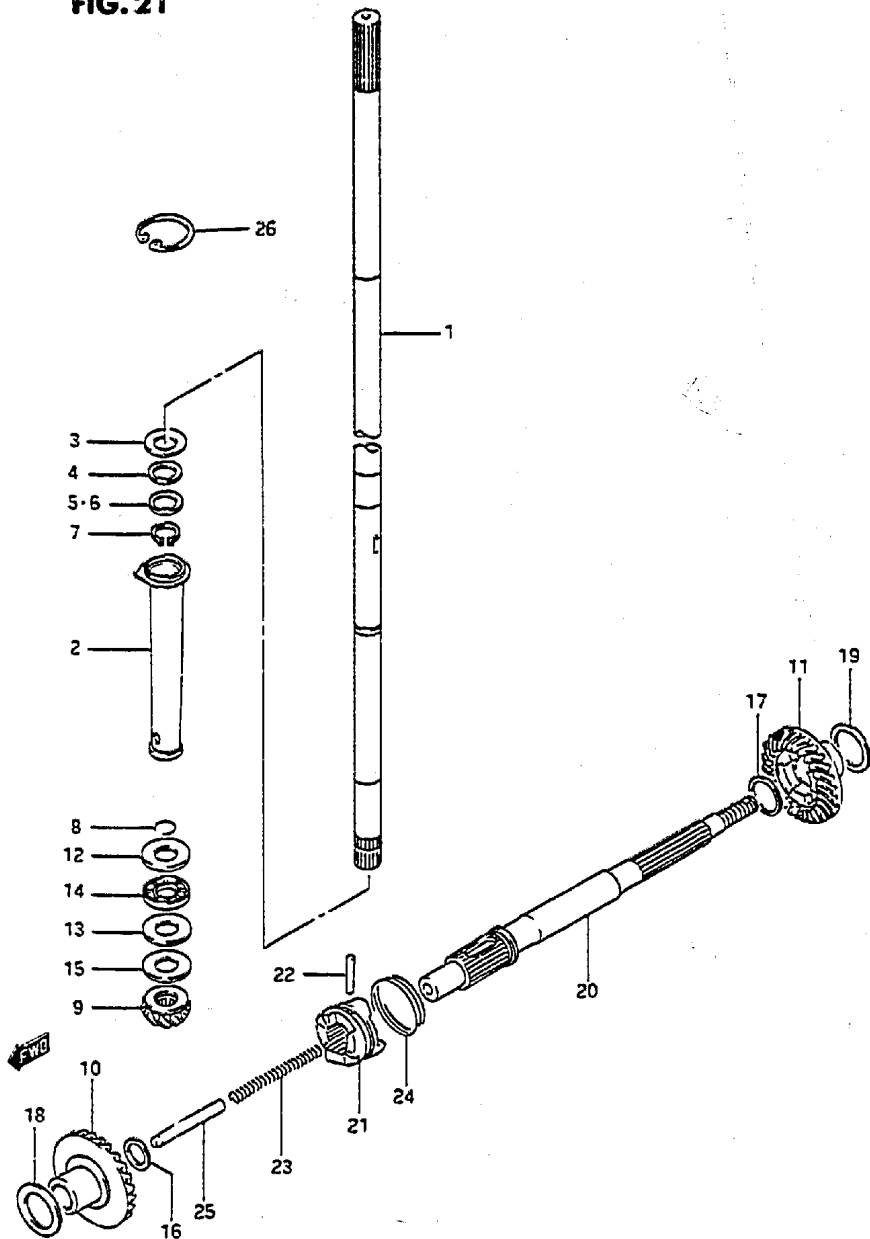


FIG. 21 (D- 9) TRANSMISSION

REF.NO.	PART NO.	DESCRIPTION	Q'TY	REMARKS
17-1	09160-16034	WASHER, PROP REV (T:1.1)	1	
17-2	09160-16035	WASHER, PROP REV (T:1.3)	1	
17-3	08211-16202	WASHER, PROP REV (T:1.5)	1	
17-4	09181-16128	WASHER, PROP REV (T:1.5)	1	model:97
17-5	09160-16036	WASHER, PROP REV (T:1.7)	1	
17-6	09160-16037	WASHER, PROP REV (T:1.9)	1	
18-1	08221-20285	SHIM, FWD (T:0.5)	1	
18-2	09181-20158	SHIM, FWD (T:0.5)	1	model:97
18-3	09181-20028	SHIM, FWD (T:0.6)	2	
18-4	09181-20159	SHIM, FWD (T:0.6)	2	model:97
18-5	09181-20029	SHIM, FWD (T:0.7)	1	
18-6	09181-20160	SHIM, FWD (T:0.7)	1	model:97
18-7	08221-20286	SHIM, FWD (T:0.8)	1	
18-8	09181-20162	SHIM, FWD (T:0.8)	1	model:97
18-9	09181-20023	SHIM, FWD (T:0.9)	1	
18-10	09181-20164	SHIM, FWD (T:0.9)	1	model:97
18-11	08211-20281	SHIM, FWD (T:1.0)	1	
19-1	08221-22285	SHIM, REV (T:0.5)	1	
19-2	09181-22130	SHIM, REV (T:0.5)	1	model:97
19-3	09181-22004	SHIM, REV (T:0.6)	2	
19-4	09181-22131	SHIM, REV (T:0.6)	2	model:97
19-5	09181-22005	SHIM, REV (T:0.7)	1	
19-6	09181-22132	SHIM, REV (T:0.7)	1	model:97
19-7	08221-22286	SHIM, REV (T:0.8)	1	
19-8	09181-22134	SHIM, REV (T:0.8)	1	model:97
19-9	09181-22006	SHIM, REV (T:0.9)	1	
19-10	09181-22136	SHIM, REV (T:0.9)	1	model:97
19-11	08211-22281	SHIM, REV (T:1.0)	1	
20	57610-92D01	SHAFT ASSY, propeller	1	
21	57621-92D01	SHIFTER, clutch dog	1	
22	09202-04018	PIN, clutch dog shifter	1	
23	09440-05027	SPRING, return	1	
24	09440-27011	SPRING, dog	1	
25	57631-92D00	ROD, push	1	
26	08331-41226	CIRCLIP	1	model:91-97

FIG. 22

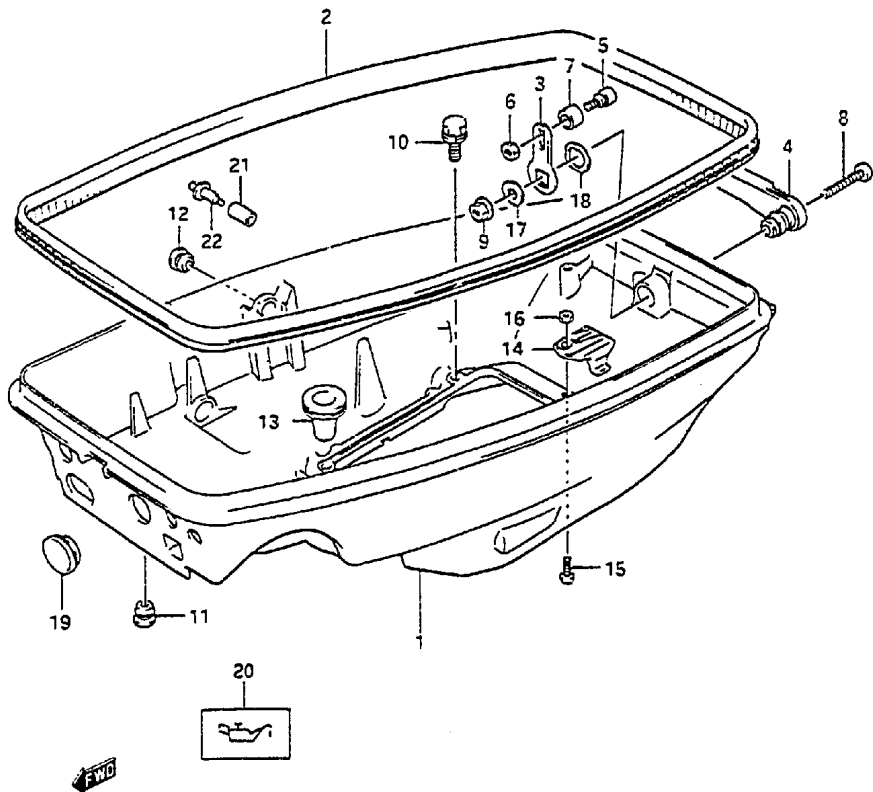


FIG. 22 (E- 2) LOWER COVER

REF.NO.	PART NO.	DESCRIPTION	Q'TY	REMARKS
1	61111-92D10-OED	COVER, engine under	1	
2	61112-92D00	RUBBER, under cover	1	
3	61631-92D00	HOOK, lower cover	1	
4	61633-92D01	LEVER, hook	1	
5	61635-98602	PIN, lower hook	1	
6	08310-00067	NUT	1	
7	61636-98600	ROLLER, lower hook	1	
8	09125-06094	SCREW (6x35)	1	
9	09140-06020	NUT	1	
10-1	09117-06031	BOLT (6x20)	4	
10-2	09117-06046	BOLT (6x20)	4	model:95-97
11	09250-08007	CUSHION, under cover	1	
12	09250-10012	CAP	1	model:88-91
13	23131-94300	BOOT, clutch rod	1	
14	61138-92D00	COVER, water	1	
15	02112-04107	SCREW	1	
16	08310-00047	NUT	1	
17	09160-06085	WASHER	1	
18	09164-14008	WASHER	1	
19	09250-18003	CAP, carburetor bolt	1	
20-1	36367-94401-019	LABEL, oil level	1	for:01T,02M
20-2	36367-95010-064	LABEL, oil level	1	for:0ED
21	09354-53103-600	HOSE, remocon shaft hole	1	model:92-97,L:600*15
22	09409-06314-5PK	CAP	1	model:92-97

COLOR : OED (Gray)
 019 (Black)
 064 (White)
 5PK (Black)

FIG. 23

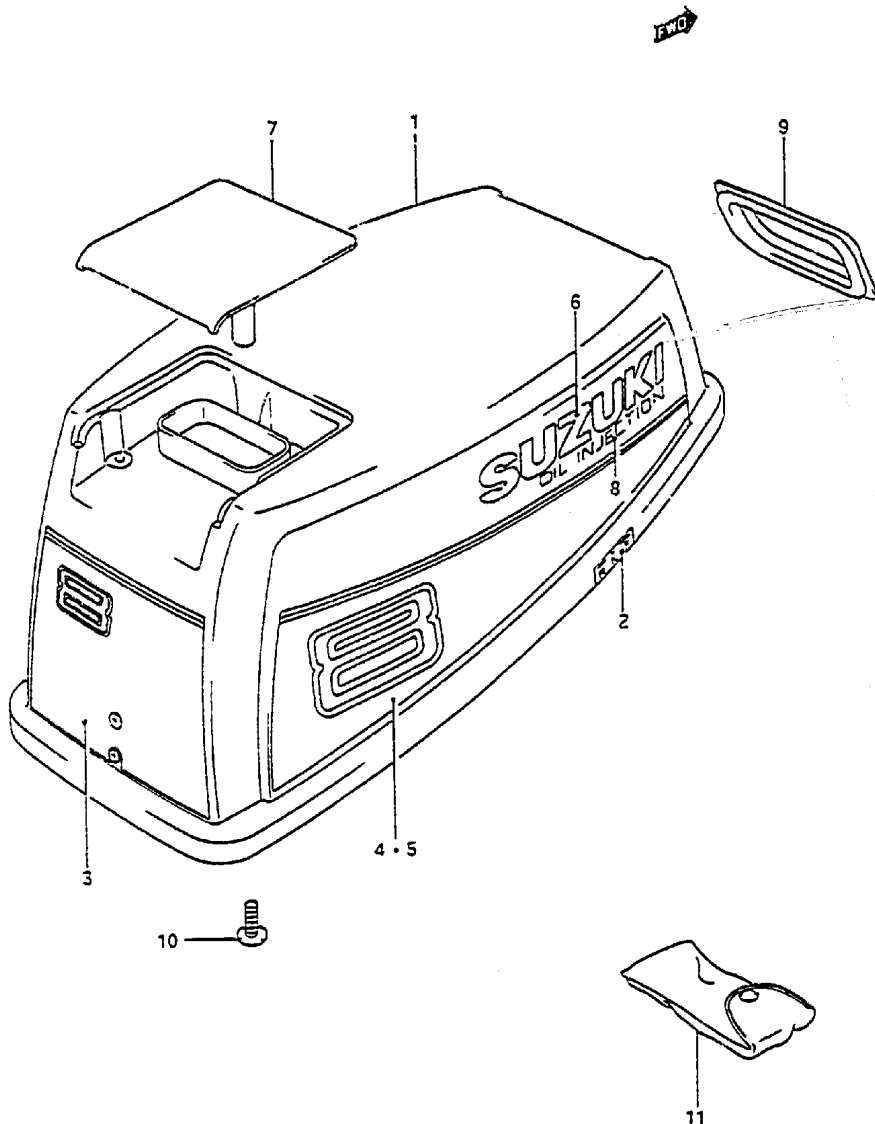


FIG.23 (E-3) ENGINE COVER (DT8C MODEL:88)

REF.NO.	PART NO.	DESCRIPTION	Q'TY	REMARKS
1	61410-92000	OED COVER SET, engine	1	
2	21131-96003	MARK, clutch shift	1	
3-1	61435-92060	70G MARK, emblem, rear	1	for 02M
3-2	61435-92020	8EH MARK, emblem, rear	1	for 01T
4-1	61443-92020	26G DECAL, cover,STBD	1	for 02M
4-2	61443-92020	26H DECAL, cover,STBD	1	for 01T
5-1	61453-92060	70G DECAL, cover,PORT	1	for 02M
5-2	61453-92060	8EH DECAL, cover,PORT	1	for 01T
6	68111-47C00	019 EMBLEM, SUZUKI	2	
7	61431-92000	OED HANDLE, tilt up	1	
8	61442-92000	019 MARK, oil injection	2	
9	61622-93901	SEAL, recoil starter	1	
10	03242-06163	SCREW	3	
11	09800-01001	TOOL SET	1	

COLOR : 02M (Silver)
 01T (White)
 70G (764/019)
 8EH (26M/764)
 26G (Black)
 26H (Burgundy)
 764 (Gold)
 019 (Black)
 26M (Burgundy)

Refer to FIG.24 (E-4) for DT8C MODEL:89-93
 Refer to FIG.25 (E-5) for DT8C MODEL:94-97
 Refer to FIG.26 (E-6) for DT9.9C MODEL:88
 Refer to FIG.27 (E-7) for DT9.9C MODEL:89-93
 Refer to FIG.28 (E-9) for DT9.9C MODEL:94-97

FIG. 24

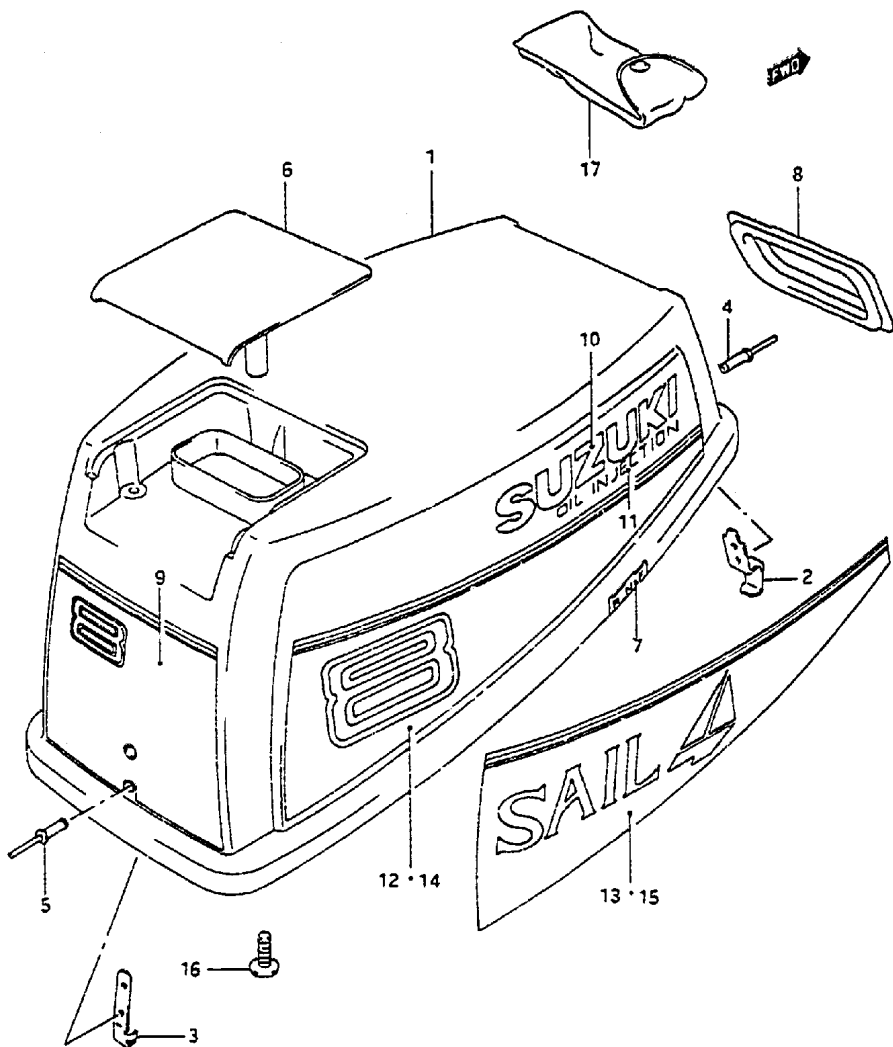


FIG.24 (E- 4) ENGINE COVER (DT8C MODEL:89-93)

REF.NO.	PART NO.	DESCRIPTION	Q'TY	REMARKS
1-1	61401-92830-OED	COVER SET, engine	1	DT8C,model:89-93 type:sail,model:92
1-2	61401-92840-O1T	COVER SET, engine	1	
1-3	61401-92850-OED	COVER SET, engine	1	type:sail,model:89-91 *61401-92830-OED
1-4	61401-92860-O1T	COVER SET, engine	1	type:sail,model:89-91 *61410-92D00-OED
2	61412-92D00	.HOOK, engine upper cover	1	
3	61611-92D00	.FASTENER	1	
4	09229-04007	.RIVET	2	
5	09229-04020	.RIVET	2	
6	61431-92D00-OED	.HANDLE, tilt up	1	
7	21131-96003	.MARK, clutch shift	1	
8	61622-93901	.SEAL, recoil starter	1	
9-1	61435-92D60-70G	.MARK, emblem rear	1	for OED
9-2	61435-92D60-8EH	.MARK, emblem rear	1	for O1T
10-1	61441-98620-764	.EMBLEM, SUZUKI	2	for OED
10-2	68111-47C00-019	.EMBLEM, SUZUKI	2	for O1T
11-1	61442-92D00-764	.MARK, oil injection	2	for OED
11-2	61442-92D00-019	.MARK, oil injection	2	for O1T
12	61443-92D60-70G	.DECAL, STBD	1	for OED
13-1	61443-92D70-70G	.DECAL, STBD	1	type:sail/for OED
13-2	61443-92D70-8EH	.DECAL, STBD	1	type:sail/for O1T
14-1	61453-92D60-70G	.DECAL, PORT	1	for OED
14-2	61453-92D60-8EH	.DECAL, PORT	1	for O1T
15-1	61453-92D70-70G	.DECAL, PORT	1	type:sail/for OED
15-2	61453-92D70-8EH	.DECAL, PORT	1	type:sail/for O1T
16	03242-06163	.SCREW	3	
17	09800-01001	TOOL SET	1	

COLOR : OED (Gray) 8EH (26M/764)
 70G (764/019) 26M (Burgundy)
 764 (Gold)
 019 (Black)
 01T (White)

FIG. 25

FIG. 25 (E- 5) ENGINE COVER (DT8C MODEL:94-97)

Q'TY

REF.NO.	PART NO.	DESCRIPTION	Q'TY	REMARKS
1-1	61410-92820-OED	COVER SET, engine	1	
1-2	61410-92822-OED	COVER SET, engine	1	model:95-97
2	61412-92D00	.HOOK, engine upper cover	1	
3	61611-92D00	.FASTENER	1	
4	09229-04007	.RIVET	2	
5	09229-04020	.RIVET	2	
6	61431-92D00-OED	.HANDLE, tilt up	1	
7	61622-93901	.SEAL, recoil starter	1	
8	21131-96003	.MARK, clutch shift	1	
9	03242-06163	.SCREW	3	
10	61440-98100	.STRIPE SET	1	
11	68111-43400-IRR	.EMBLEM, SUZUKI	2	
12	61435-92D71	MARK, emblem rear	1	
13	61581-98610	MARK, safety warning	1	
14	09800-01001	TOOL SET	1	

COLOR : OED (Gray)
IRR (Gold)

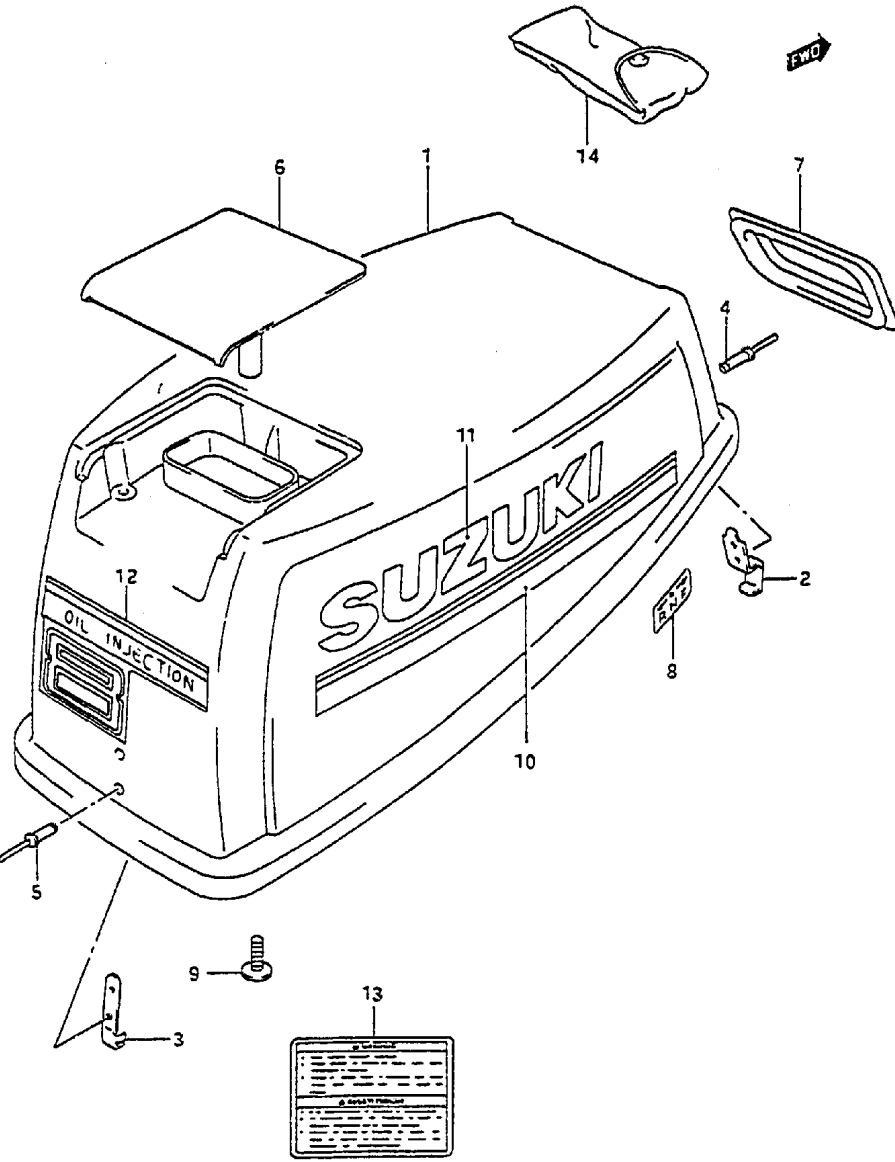


FIG. 26

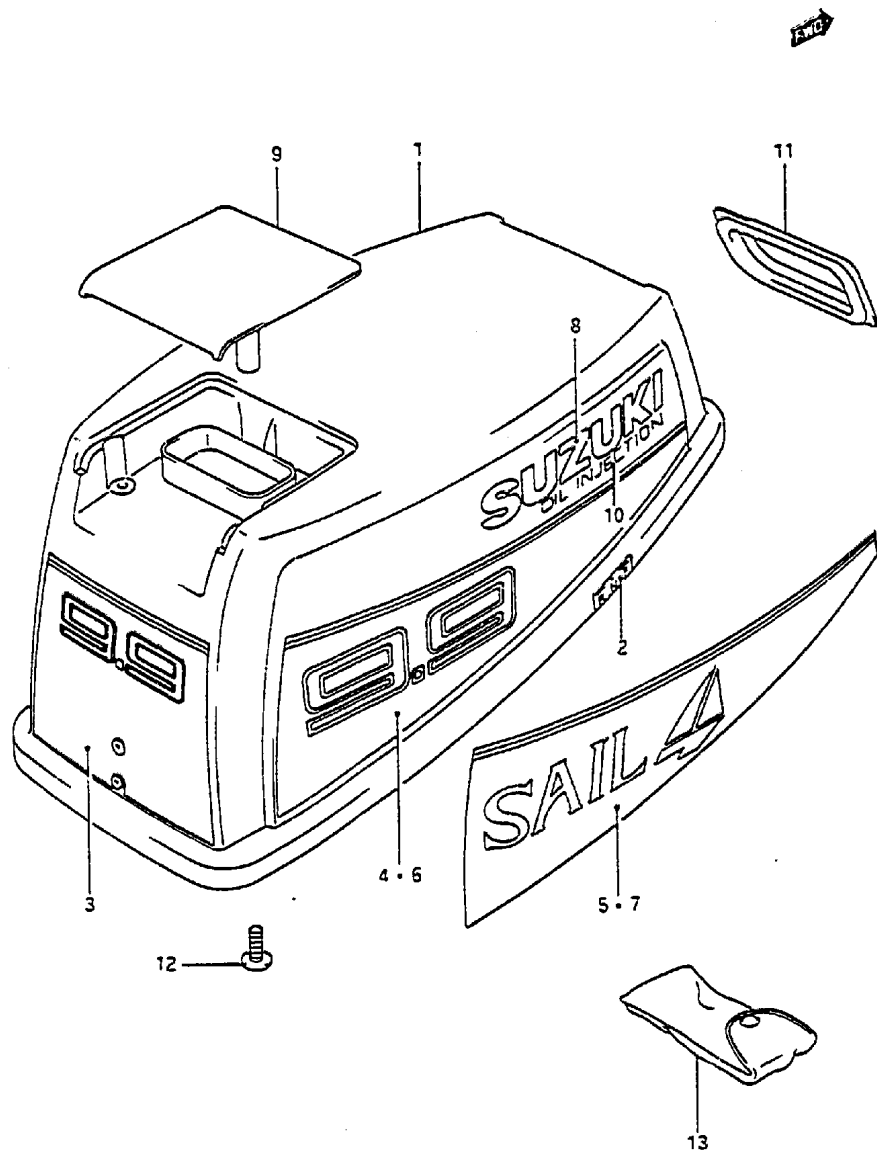


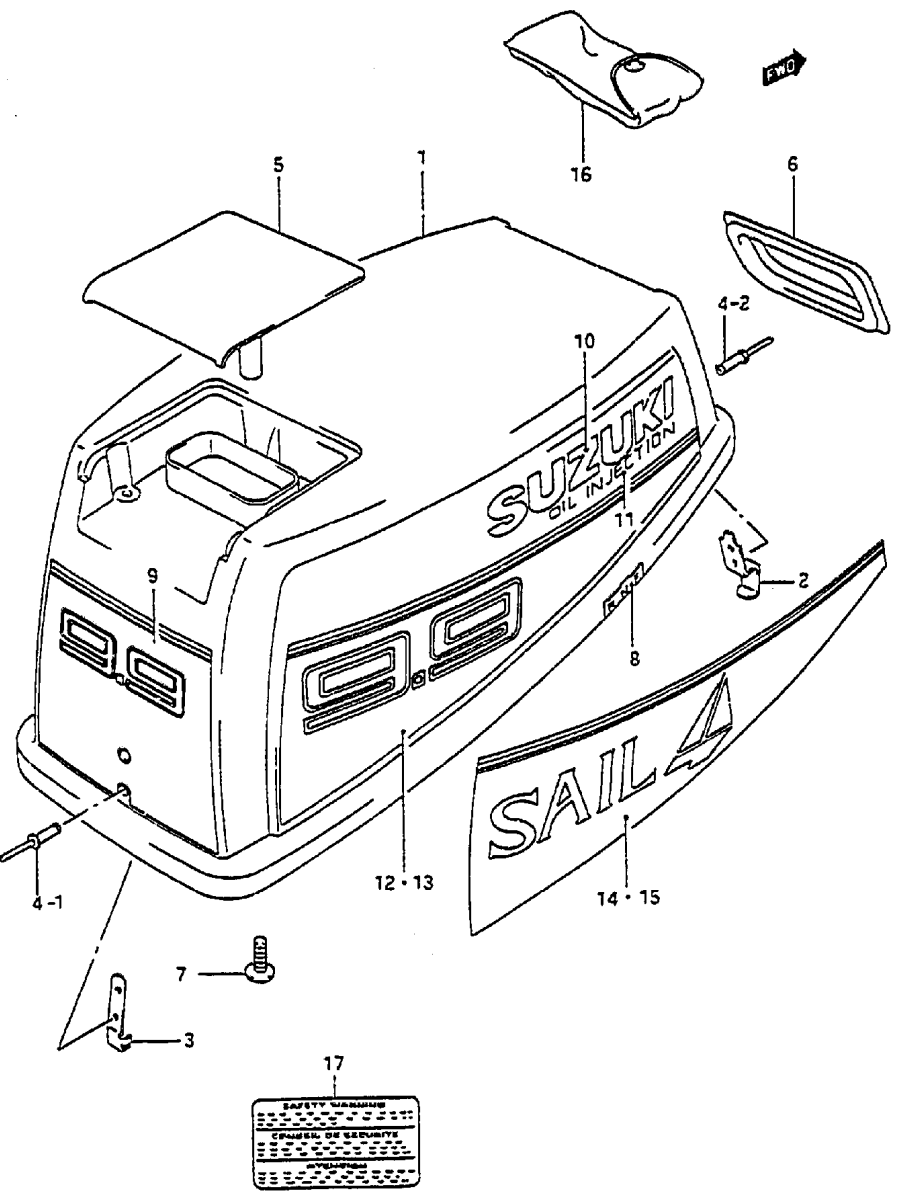
FIG. 26 (E- 6) ENGINE COVER (DT9.9C MODEL:88)

REF.NO.	PART NO.	DESCRIPTION	Q'TY	REMARKS
1	61410-92000-OED COVER ASSY, engine		1	+61400-92820-02M +61400-92830-01Y +61400-92840-02M +61400-92850-01Y
2	21131-96003	MARK, clutch shift	1	
3-1	61435-92010-70G	MARK, emblem, rear	1	for 02M
3-2	61435-92030-70G	MARK, emblem, rear	1	type:sail
4	61443-92050-70G	DECAL, cover,STBD	1	for 02M
5-1	61443-92070-70G	DECAL, cover,STBD	1	type:sail for 02M
5-2	61443-92070-8EH	DECAL, cover,STBD	1	type:sail for 01Y
6-1	61453-92050-70G	DECAL, cover,PORT	1	for 02M
6-2	61453-92050-8EH	DECAL, cover,PORT	1	for 01Y
7-1	61453-92070-70G	DECAL, cover,PORT	1	type:sail for 02M
7-2	61453-92070-8EH	DECAL, cover,PORT	1	type:sail for 01Y
8	68111-47C00-019	EMBLEM, SUZUKI	2	
9	61431-92000-OED	HANDLE, tilt up	1	
10	61442-92000-019	MARK, oil injection	2	
11	61622-93901	SEAL, recoil starter	1	
12	03242-06163	SCREW	3	
13	09800-01001	TOOL SET	1	

COLOR : 02M (Silver) 26H (Burgundy)
 01Y (White) 764 (Gold)
 70G (764/019) 019 (Black)
 8EH (26M/764) 26M (Burgundy)
 26G (Black)

FIG. 27

FIG.27 (E- 7) ENGINE COVER (DT9.9C MODEL:89-93)



Q'TY

REF.NO.	PART NO.	DESCRIPTION	Q'TY	REMARKS
1-1	61400-92880-OED	COVER SET, engine	1	model:89-93/DT9.9C model:92,93/type:sail
1-2	61401-92810-OED	COVER SET, engine	1	type:sail model:89-91 +61400-92880-OED
1-3	61401-92820-O1T	COVER SET, engine	1	type:sail model:89-91 +61410-92000-OED
2	61412-92D00	.HOOK, engine upper cover	1	
3	61611-92D00	.FASTENER, engine upper cover	1	
4-1	09229-04007	.RIVET	2	
4-2	09229-04020	.RIVET	2	
5	61431-92D00-OED	.HANDLE, tilt up	1	
6	61622-93901	.SEAL, recoil starter	1	
7	03242-06163	.SCREW	3	
8	21131-96003	.MARK, clutch shift	1	
9-1	61435-92D50-70G	.MARK, emblem rear	1	for OED
9-2	61435-92D50-8EH	.MARK, emblem rear	1	for O1T
10-1	61441-98620	.EMBLEM, SUZUKI	2	for OED
10-2	68111-47C00-019	.EMBLEM, SUZUKI	2	for O1T
11-1	61442-92D00-764	.MARK, oil injection	2	for OED
11-2	61442-92D00-019	.MARK, oil injection	2	for O1T
12	61443-92D50-70G	.DECAL, STBD	1	for OED model:89-93/DT9.9C model:92,93/type:sail
13-1	61453-92D50-70G	.DECAL, PORT	1	for OED model:89-93/DT9.9C model:92,93/type:sail
13-2	61453-92D50-8EH	.DECAL, PORT	1	for O1T

COLOR : OED (Gray) O1T (White)
 70G (764/019) 8EH (26M/764)
 764 (Gold) 26M (Burgundy)
 019 (Black)

FIG. 27

FIG. 27 (E- 8) ENGINE COVER (DT9.9C MODEL:89-93)

Q'TY

REF.NO.	PART NO.	DESCRIPTION	Q'TY	REMARKS
14-1	61443-92D70-70G	.DECAL, STBD	1	for OED,type:sail -model:91
14-2	61443-92D70-8EH	.DECAL, STBD	1	for O1Y,type:sail -model:91
15-1	61453-92D70-70G	.DECAL, PORT	1	for OED,type:sail -model:91
15-2	61453-92D70-8EH	.DECAL, PORT	1	for O1Y,type:sail -model:91
16	09800-01001	TOOL SET	1	
17	61581-98610	MARK, safty warning	1	

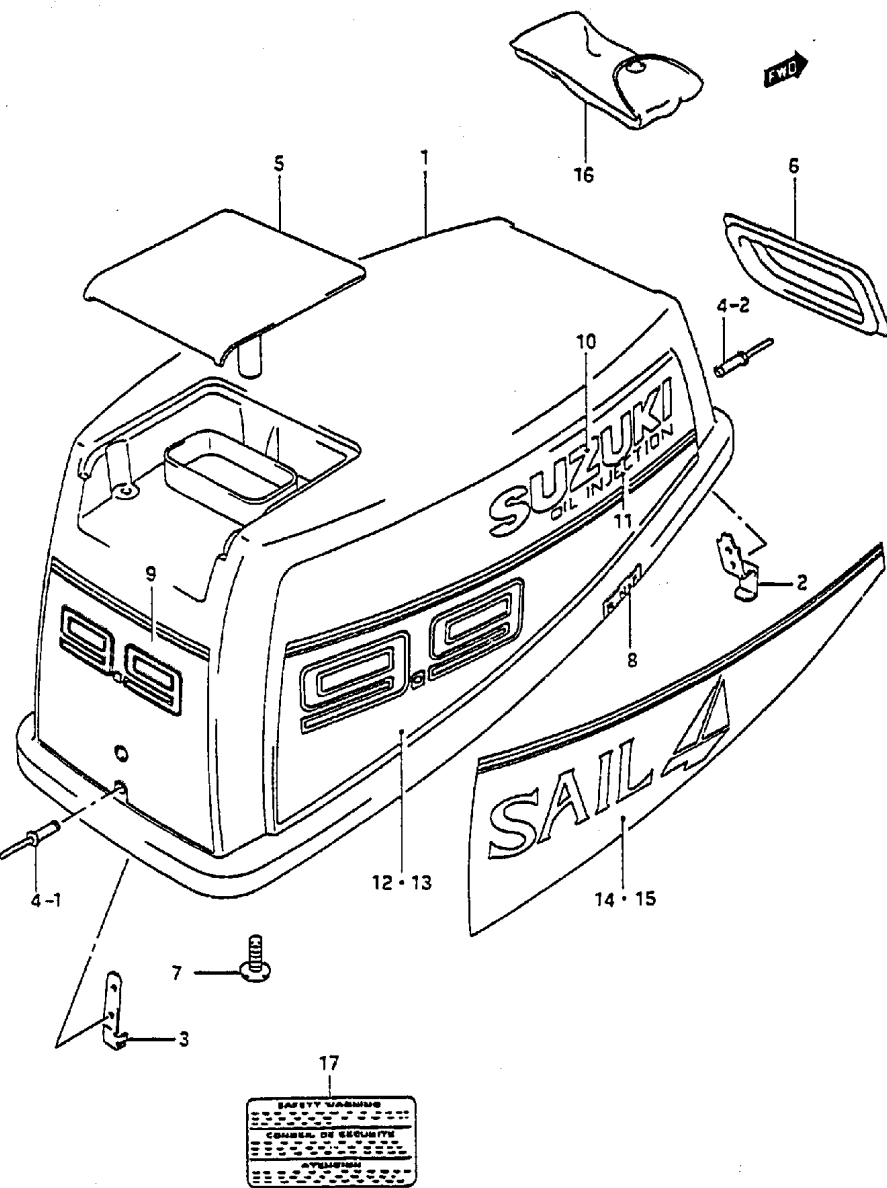


FIG. 28

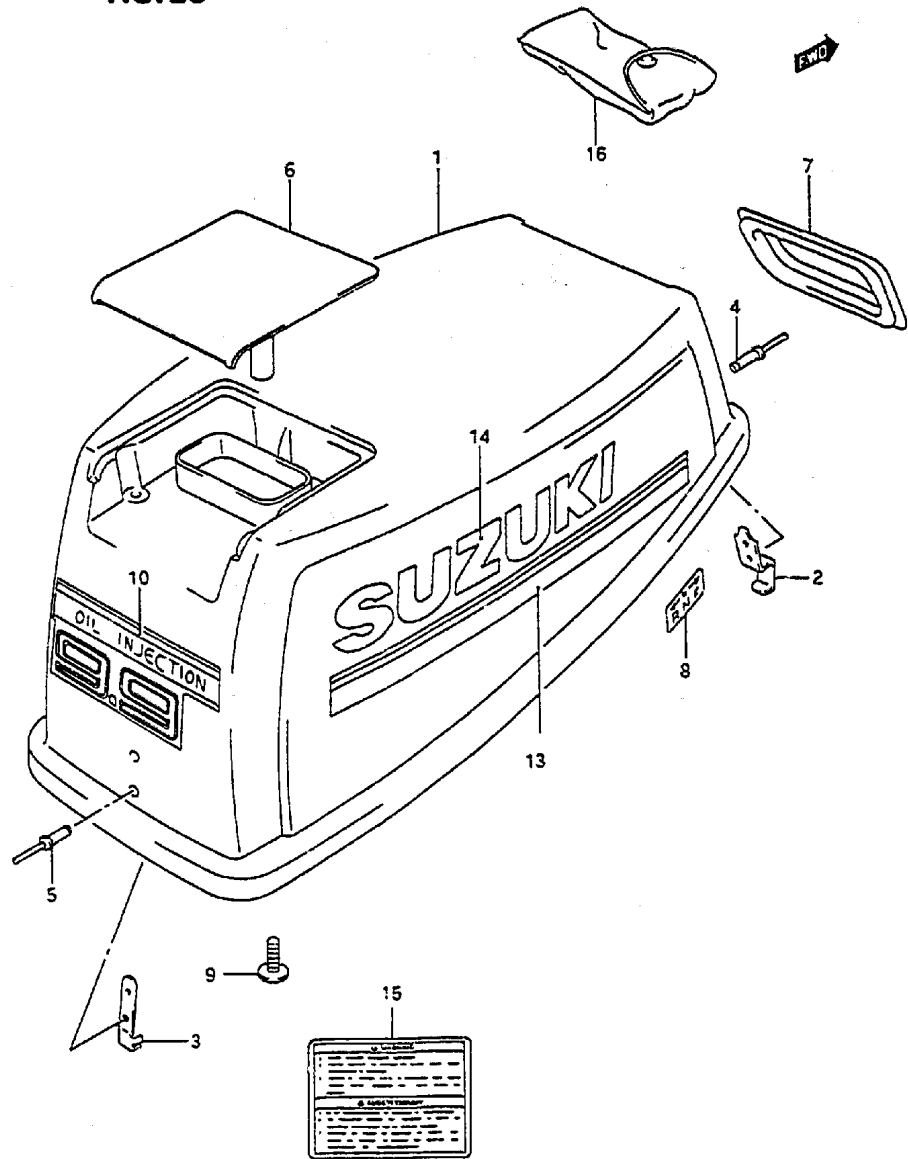


FIG.28 (E- 9) ENGINE COVER (D79.9C MODEL:94-97)

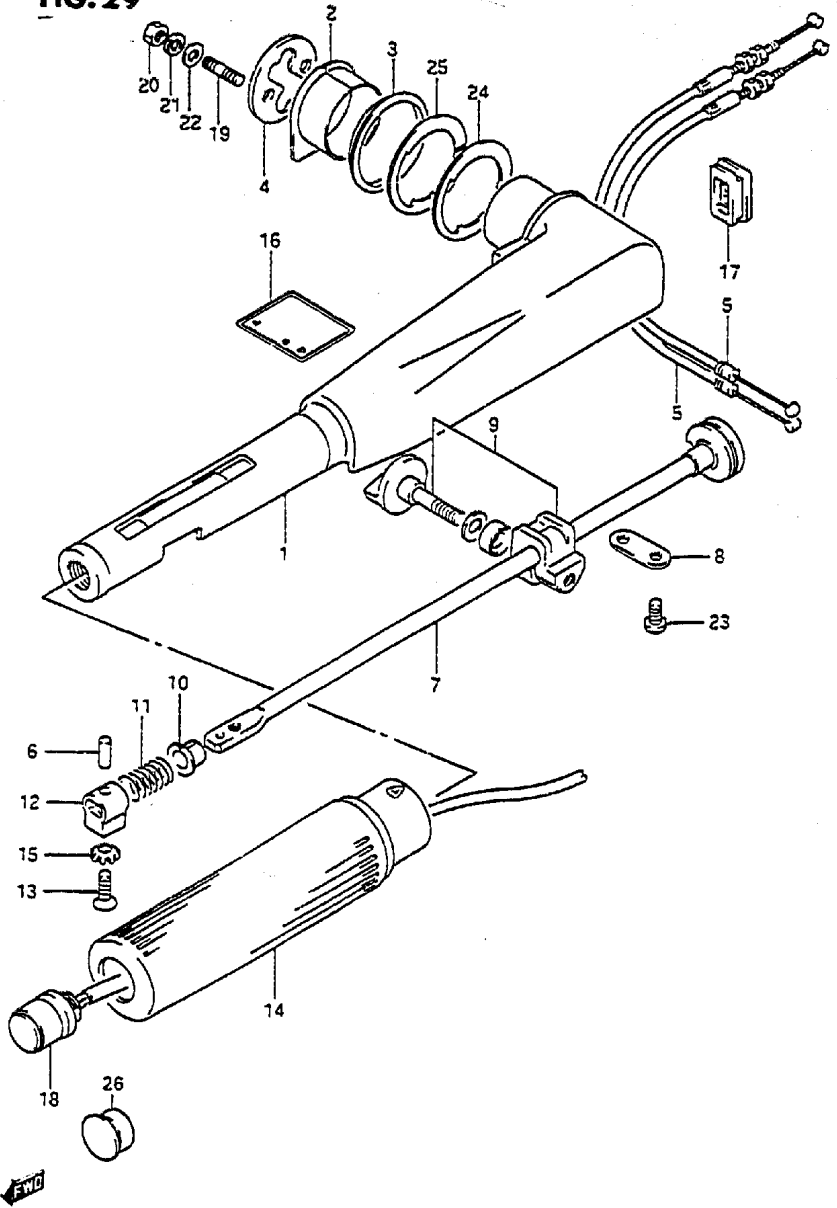
Q'TY

REF.NO.	PART NO.	DESCRIPTION	REMARKS
1	61410-92830-DEE	COVER SET, engine	1
2	61412-92D00	.HOOK, engine upper cover	1
3	61611-92D00	.FASTENER	1
4	09229-04007	.RIVET, hook	2
5	09229-04020	.RIVET, fastener	2
6	61431-92D00-DEE	.HANDLE, tilt up	1
7	61622-93901	.SEAL, recoil starter	1
8	21131-96003	.MARK, clutch shift	1
9	03242-06163	.SCREW	3
10	61435-92D81	.MARK, emblem rear	1
13	61440-98100	.STRIPE SET	1
14	68111-43400-IRR	.EMBLEM, SUZUKI	2
15	61581-98610	MARK, safety warning	1
16	09800-01001	TOOL SET	1

COLOR : DEE (Gray)
IRR (Gold)

FIG.29 (E-10) HANDLE

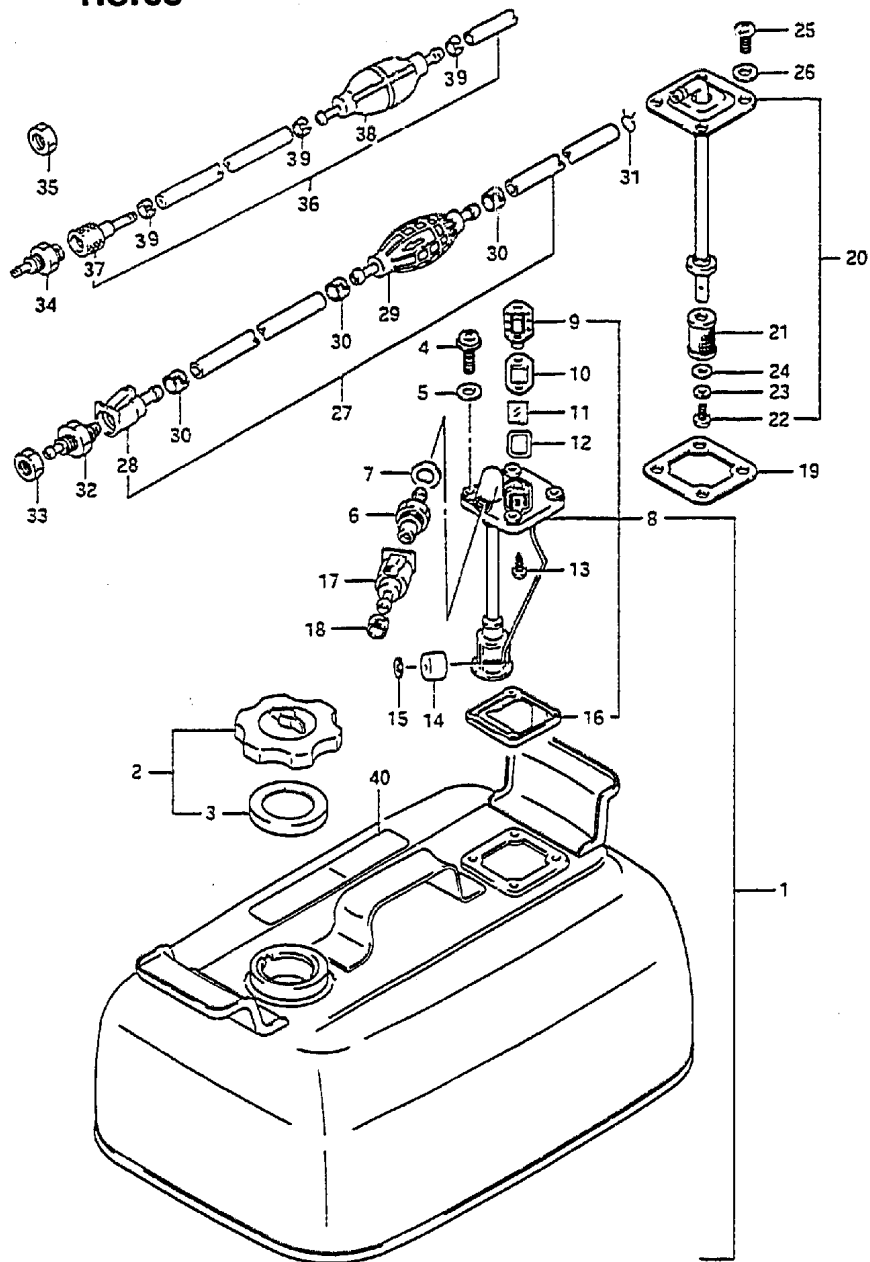
FIG. 29



REF.NO.	PART NO.	DESCRIPTION	Q'TY	REMARKS
1	63111-92D10-OED	HANDLE, tiller	1	
2	63115-92D01	BUSH, tiller handle	1	
3	63116-92D01	BUSH, tiller handle side	1	
4	63125-92D01	PLATE, tiller handle	1	
5	63610-92D01	CABLE ASSY, throttle	2	
6	63227-93200	PIN, handle rod	1	
7	63220-92D03	ROD, handle	1	
8	63241-92D00	SUPPORT, handle rod	1	
9	63240-96300	ADJUSTER SET, handle grip	1	
10	63225-93200	BUSH, handle rod	1	
11	09440-12027	SPRING	1	
12	63223-92D00	STOPPER, handle rod	1	
13	09126-06015	SCREW	1	
14-1	63210-94400	GRIP, handle	1	
14-2	63210-93E00	GRIP, handle	1	model:97
15	09163-06001	LOCK WASHER	1	
16	63215-93400	MARK, handle	1	
17	63625-96300	GROMMET, throttle cable	1	
18-1	37800-89E12	SWITCH, stop	1	model:88
18-2	37800-92D22	SWITCH, stop	1	model:89-92 +37800-92D20
19-1	09108-06062	STUD BOLT	2	
19-2	09108-06060	STUD BOLT	2	model:96,97
20-1	09140-06020	NUT	2	
20-2	09159-06079	NUT	2	model:96,97
21	09162-06006	LOCK WASHER	2	
22	09160-06055	WASHER	2	model:92-96
23	09125-05046	SCREW	2	
24	63117-92D00	SHIM, tiller handle	1	38x54x1.4
25	63118-92D00	SHIM, tiller handle	1	38x54x0.3 model:88-91
26	63213-94400	CAP, stop SW	1	MODEL:93 ~

COLOR : OED (Gray)

FIG. 30



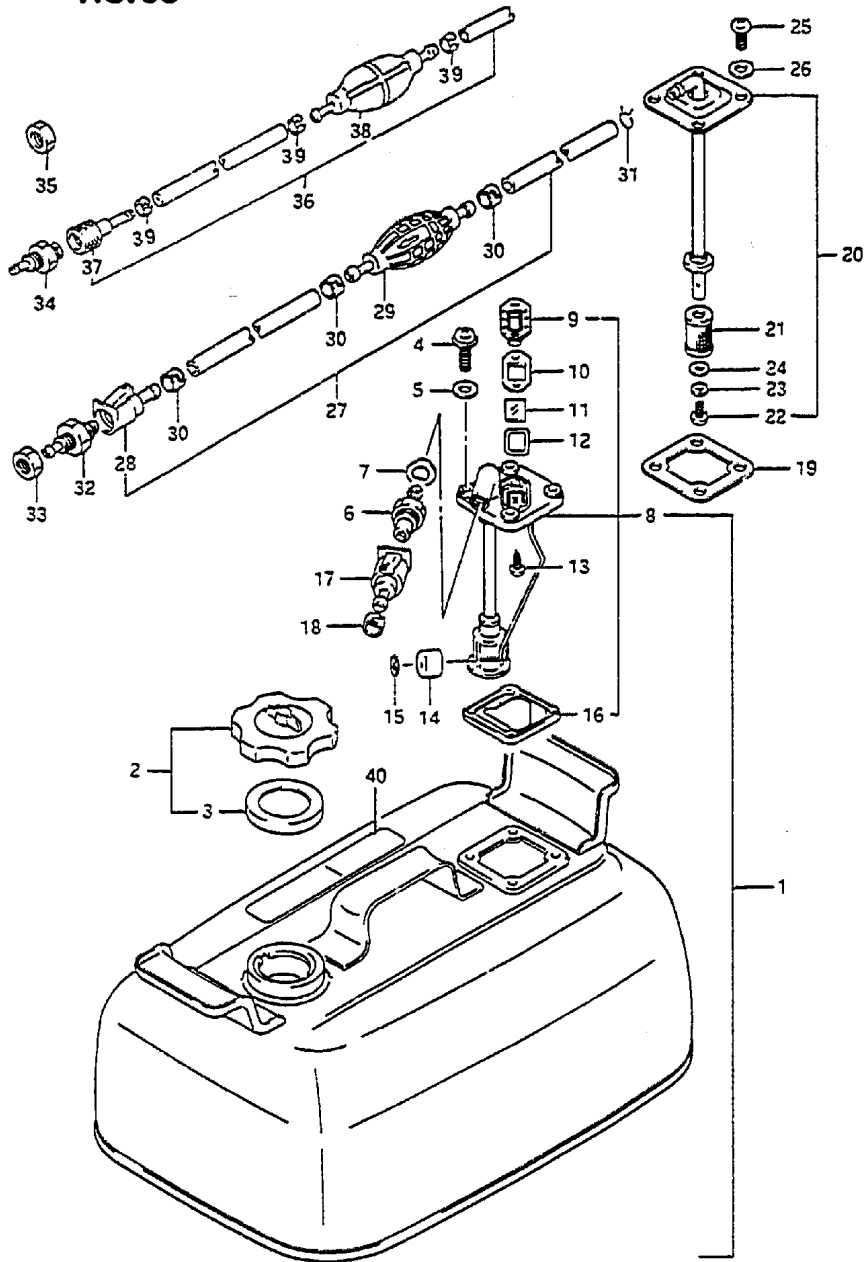
37

FIG.30 (F- 2) FUEL TANK (DT8C)

REF.NO.	PART NO.	DESCRIPTION	Q'TY	REMARKS
1	65800-92813	TANK SET, fuel (15L)	1	4 U.S.GAL, 3.3 IMP.GAL
2	65510-92000	.CAP ASSY, tank	1	
3	65561-92000	..GASKET, tank cap	1	
4	02112-16167	.SCREW	4	
5	09168-06004	.WASHER	4	
6-1	65720-94411	.CONNECTOR, fuel	1	
6-2	65740-95500	.CONNECTOR, fuel	1	231795-
7	09168-12001	.GASKET, connector	1	
8	65850-92051	.GAUGE ASSY, fuel	1	
9	65855-92010	..COVER, gauge	1	
10	65854-92020	..GASKET	1	
11	65853-92000	..LENS	1	
12	65854-92030	..GASKET, lens	1	
13	03221-04083	..SCREW	2	
14	65864-92000	..FLOAT	1	
15	65866-92000	..NUT, push	2	
16	65871-92000	..GASKET, fuel	1	
17	65750-94404	CONNECTOR, fuel	1	
18	65781-98500	CLIP	1	
19	65871-93010	GASKET, outlet	1	
20	65880-98500	OUTLET ASSY	1	
21	65830-93301	.FILTER	1	
22	02112-05087	.SCREW	1	
23	08321-01057	.LOCK WASHER	1	
24	08322-01057	.WASHER	1	
25	02112-06107	SCREW	4	
26	09168-06026	WASHER	4	

Refer to FIG.31(F-4) for PLASTIC 12L
 Refer to FIG.32(F-5) for STEEL 24L
 Refer to FIG.33(F-6) for PLASTIC 25L

FIG. 30



38

FIG.30 (F- 3) FUEL TANK (DT8C)

Q'TY

REF.NO.	PART NO.	DESCRIPTION	Q'TY	REMARKS
27	65700-98582	HOSE, fuel	1	tank to connector
28	65750-94404	.CONNECTOR, fuel	1	
29	65770-93903	.PUMP, squeeze	1	
30	65781-98500	.CLIP	3	
31	09401-11403	CLIP	1	
32	65720-94401	CONNECTOR, fuel	1	
33	08310-00107	NUT	1	
34	65720-98520	PLUG, fuel connector	1	231795-
35	09140-10032	NUT	1	231795-
36	65700-98522	HOSE, fuel	1	231795-
37	65750-98505	.SOCKET, fuel hose	1	231795-
38	65770-99703	.PUMP, squeeze	1	231795-
39	65781-98500	.CLIP	3	231795-
40	65317-98520	MARK, fuel capacity	1	

FIG.31

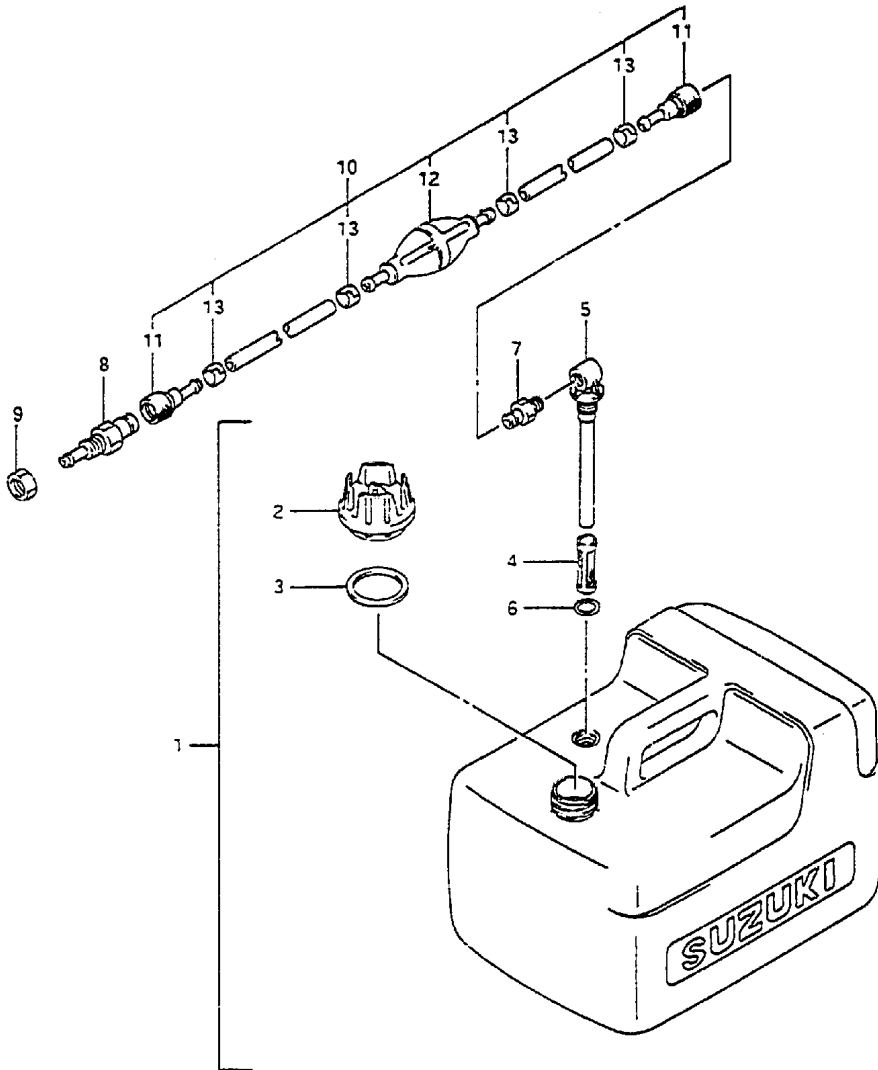


FIG.31 (F- 4) FUEL TANK (DT8C/PLASTIC)

REF.NO.	PART NO.	DESCRIPTION	Q'TY	REMARKS
1	65000-99100	TANK ASSY, fuel (1.2L)	1	
2	65520-99100	.CAP, fuel tank	1	
3	65561-95000	.GASKET, tank cap	1	
4	65831-95000	.FILTER, outlet	1	
5	65890-99100	.OUTLET ASSY	1	
6	65892-95000	.O RING, fuel outlet	1	
7	65740-99100	.PLUG, fuel connector	1	
8	65720-98520	PLUG, fuel connector	1	
9	09140-10032	NUT	1	
10	65700-95011	HOSE, fuel	1	
11	65750-98505	.SOCKET, fuel hose	2	
12	65770-99703	.PUMP, squeeze	1	
13	65781-98500	.CLIP	4	

FIG. 32

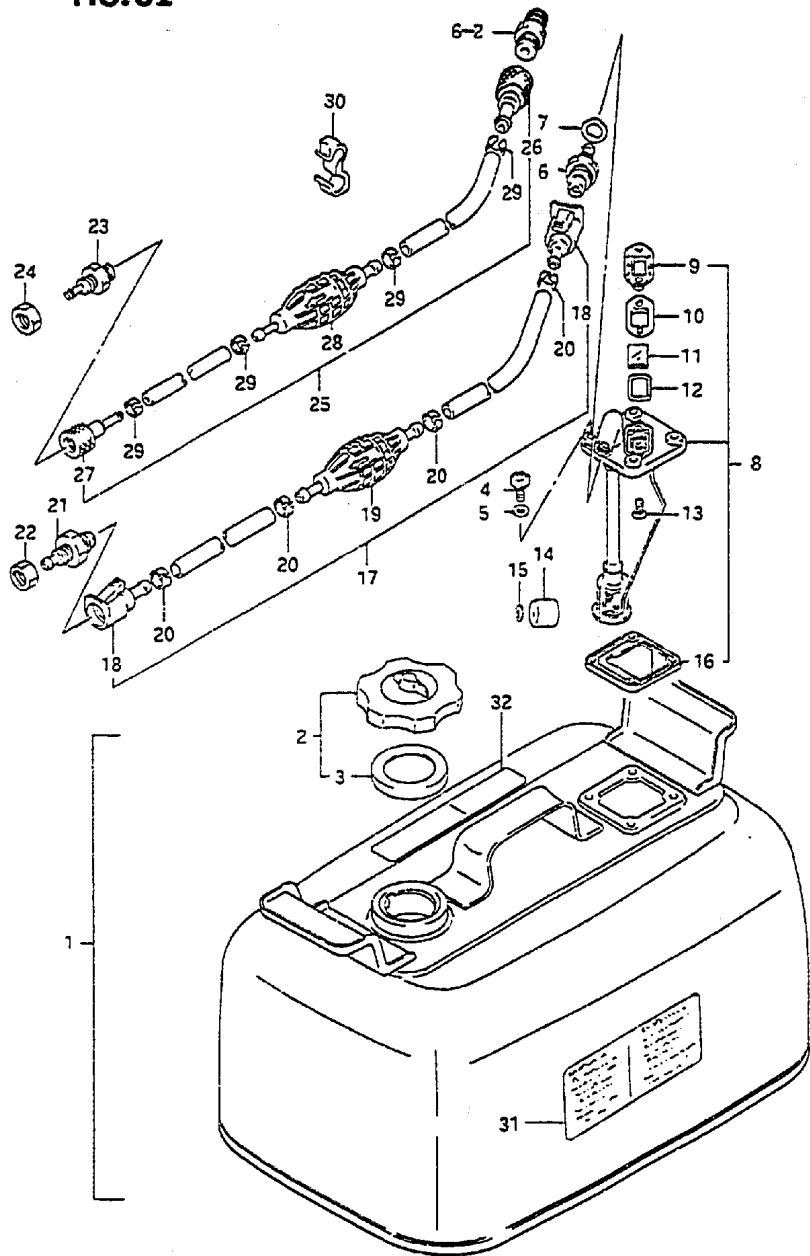
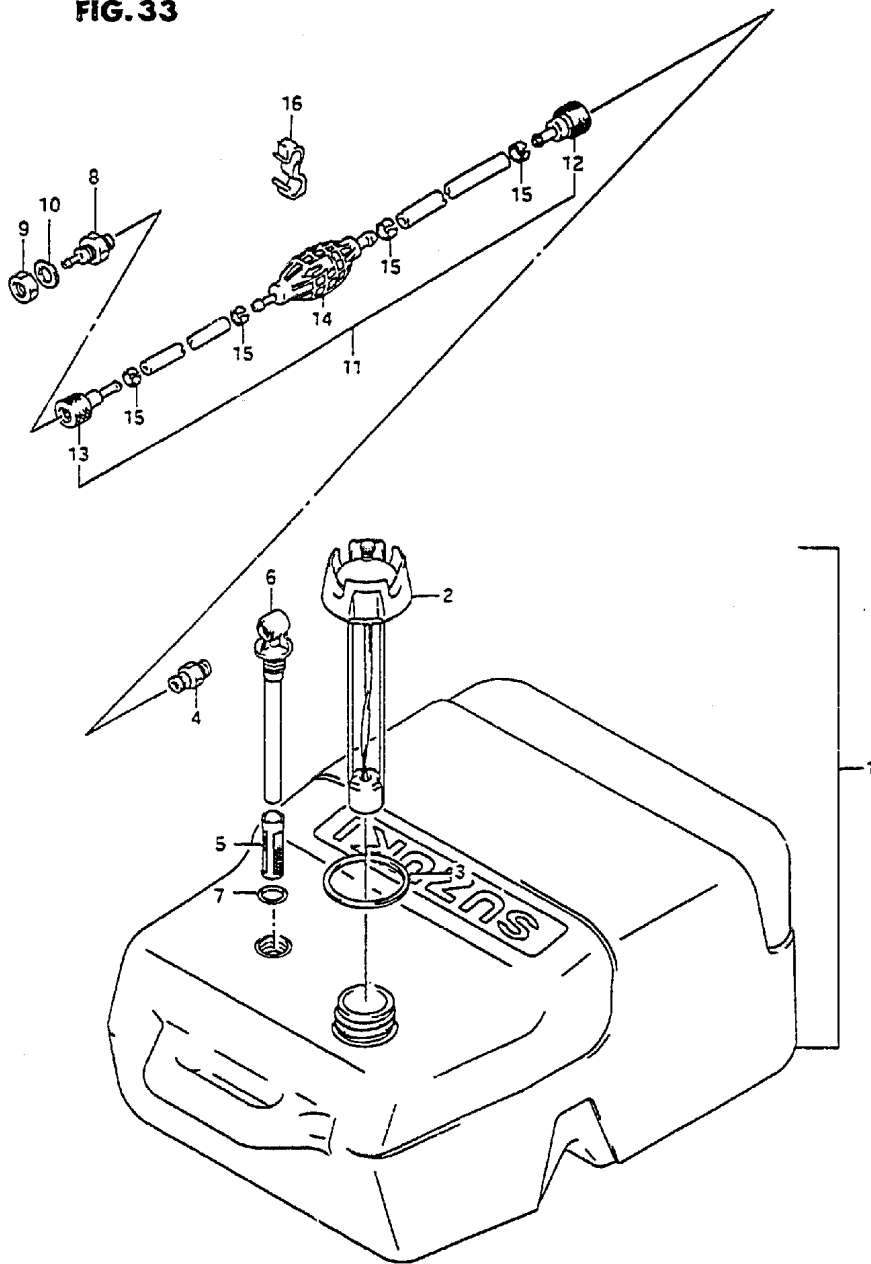


FIG. 32 (F- 5) FUEL TANK (DT9.9C/STEEL)

Q'TY

REF. NO.	PART NO.	DESCRIPTION	Q'TY	REMARKS
1	65800-92823	TANK SET, fuel (24L)	1	6.3 U.S GAL/5.3 IMP GAL
2	65510-92D00	.CAP ASSY, separate tank	1	
3	65561-92D00	..GASKET, tank cap	1	
4	02142-06167	.SCREW	4	
5	09168-06026	.WASHER	4	
6-1	65720-94411	.CONNECTOR, fuel hose	1	
6-2	65740-95500	.CONNECTOR, fuel hose	1	DT9.9C:231672-
7	09168-12015	.GASKET, connector	1	
8	65850-92D01	.GAUGE ASSY, fuel	1	
9	65855-92D10	..COVER, gauge	1	
10	65854-92D20	..GASKET	1	
11	65853-92D00	..LENS	1	
12	65854-92D30	..GASKET, lens	1	
13	03221-04083	..SCREW	2	
14	65864-92D00	..FLOAT	1	
15	65866-92D00	..PUSH, nut	1	
16	65871-92D00	..GASKET, fuel	1	
17	65700-87D16	HOSE, fuel	1	
18	65750-94404	.CONNECTOR, fuel	2	
19	65770-95504	.PUMP, squeeze	1	
20	65781-98500	.CLIP	4	
21	65720-94401	CONNECTOR, fuel	1	
22	08310-00107	NUT	1	
23	65720-98520	PLUG, fuel connector	1	DT9.9C:231672-
24	09140-10032	NUT	1	DT9.9C:231672-
25	65700-87D17	HOSE, fuel	1	DT9.9C:231672-
26	65750-95500	.SOCKET, fuel hose (in)	1	DT9.9C:231672-
27	65750-98505	.SOCKET, fuel hose (out)	1	DT9.9C:231672-
28	65770-95540	.PUMP, squeeze	1	DT9.9C:231672-
29	65781-98500	.CLIP	4	DT9.9C:231672-
30	09408-00056	CLIP	1	DT9.9C:231672-
31	65316-93331	MARK, fuel caution	1	
32	65317-95260	MARK, fuel capacity	1	

FIG. 33



41

FIG. 33 (F- 6) FUEL TANK (DT9.9C/PLASTIC)

REF.NO.	PART NO.	DESCRIPTION	Q'TY	REMARKS
1	65000-95000	TANK ASSY, fuel (25L)	1	
2	65520-95000	.CAP ASSY, fuel tank	1	
3	65561-95000	.GASKEY, tank cap	1	
4	65740-95000	.PLUG, fuel connector	1	
5	65831-95000	.FILTER, outlet	1	
6	65890-95000	.OUTLET ASSY	1	
7	65892-95000	.O RING, fuel outlet	1	
8	65720-98520	PLUG, fuel connector	1	
9-1	08310-00107	NUT	1	
9-2	09140-10032	NUT	1	model:94-97
10	08321-01107	WASHER	1	~model:93
11	65700-87017	HOSE, fuel	1	+65700-95523
12	65750-95500	.SOCKET, fuel hose (in)	1	
13	65750-98505	.SOCKET, fuel hose (out)	1	
14	65770-95540	.PUMP, squeeze	1	
15	65781-98500	.CLIP	4	
16	09408-00056	CLIP	1	model:95-97

FIG. 34

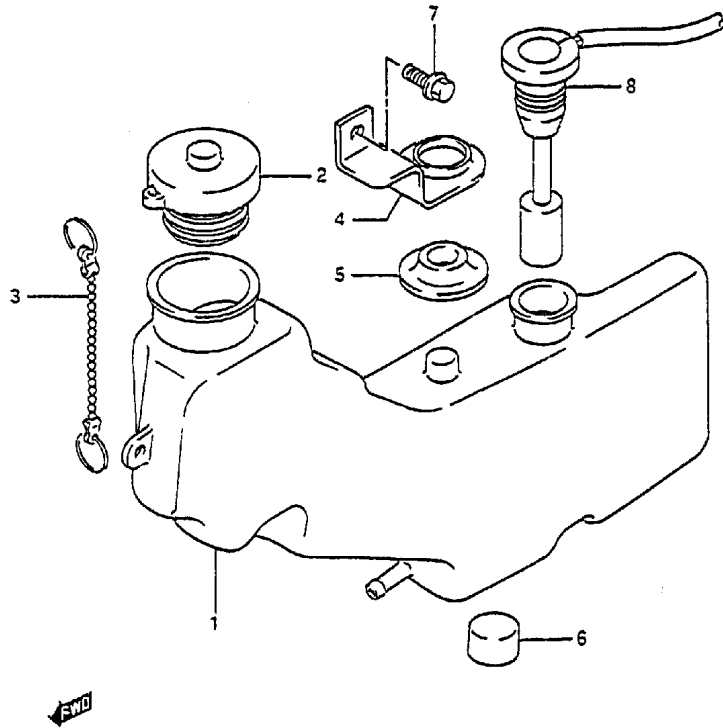
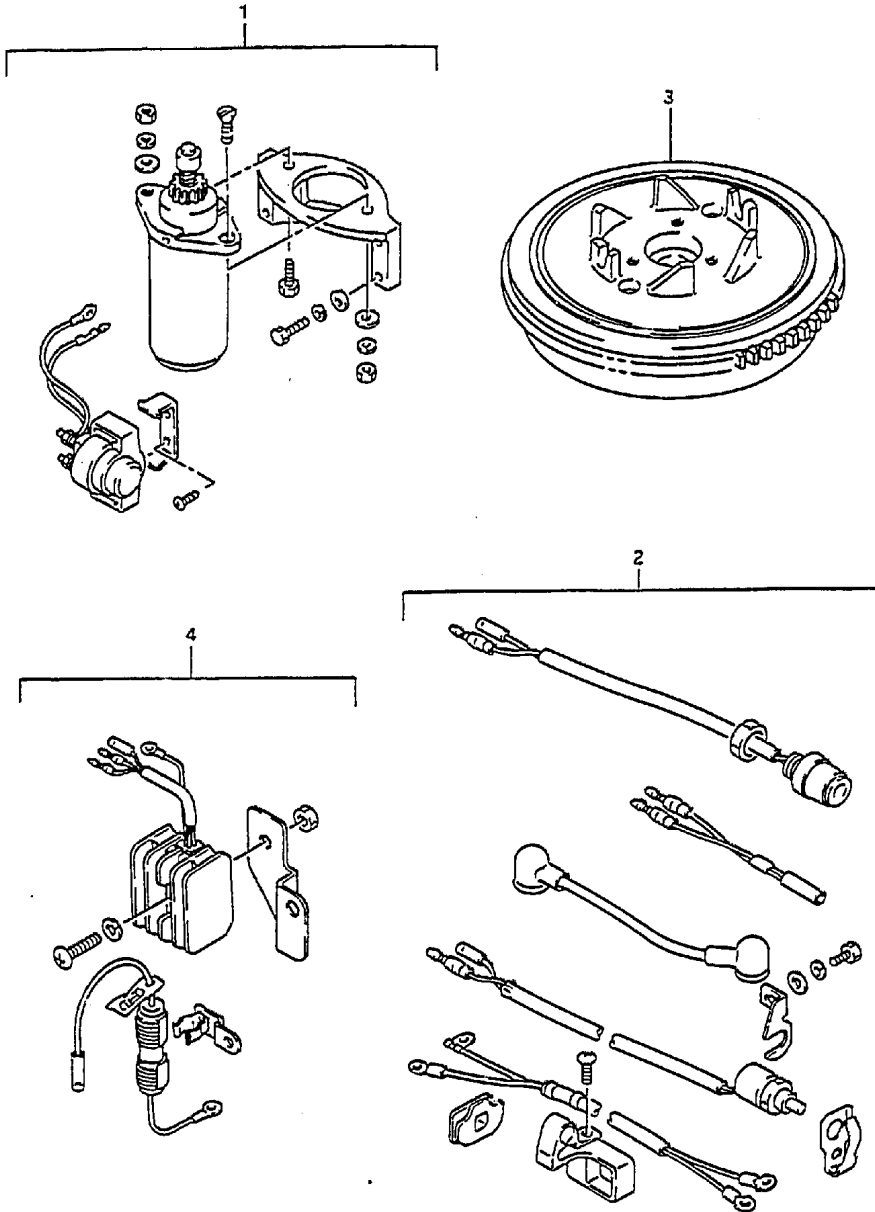


FIG. 34 (F- 7) OIL TANK

REF.NO.	PART NO.	DESCRIPTION	Q'TY	REMARKS
1	69111-92000	TANK, oil	1	
2	69200-92002	CAP ASSY, oil tank filler	1	
3	69250-92000	CHAIN ASSY, oil tank	1	
4	69311-92000	SUPPORT, oil tank	1	
5	09320-12044	CUSHION, oil tank support	1	
6	09329-12004	CUSHION, oil tank	3	
7	02162-06127	BOLT	1	
8	34860-92010	SENSOR, oil level	1	

FIG. 35



43

FIG.35 (G- 2) OPTIONAL : ELECTRICAL (1)

REF.NO.	PART NO.	DESCRIPTION	Q'TY	REMARKS
1	31101-92001	MOTOR SET, starter	1	
2	33800-92003	SWITCH STARTER/CABLE SET	1	
3	32102-92002	FLYWHEEL, magneto	1	
4	32801-92012	RECTIFIER SET	1	

FIG. 36

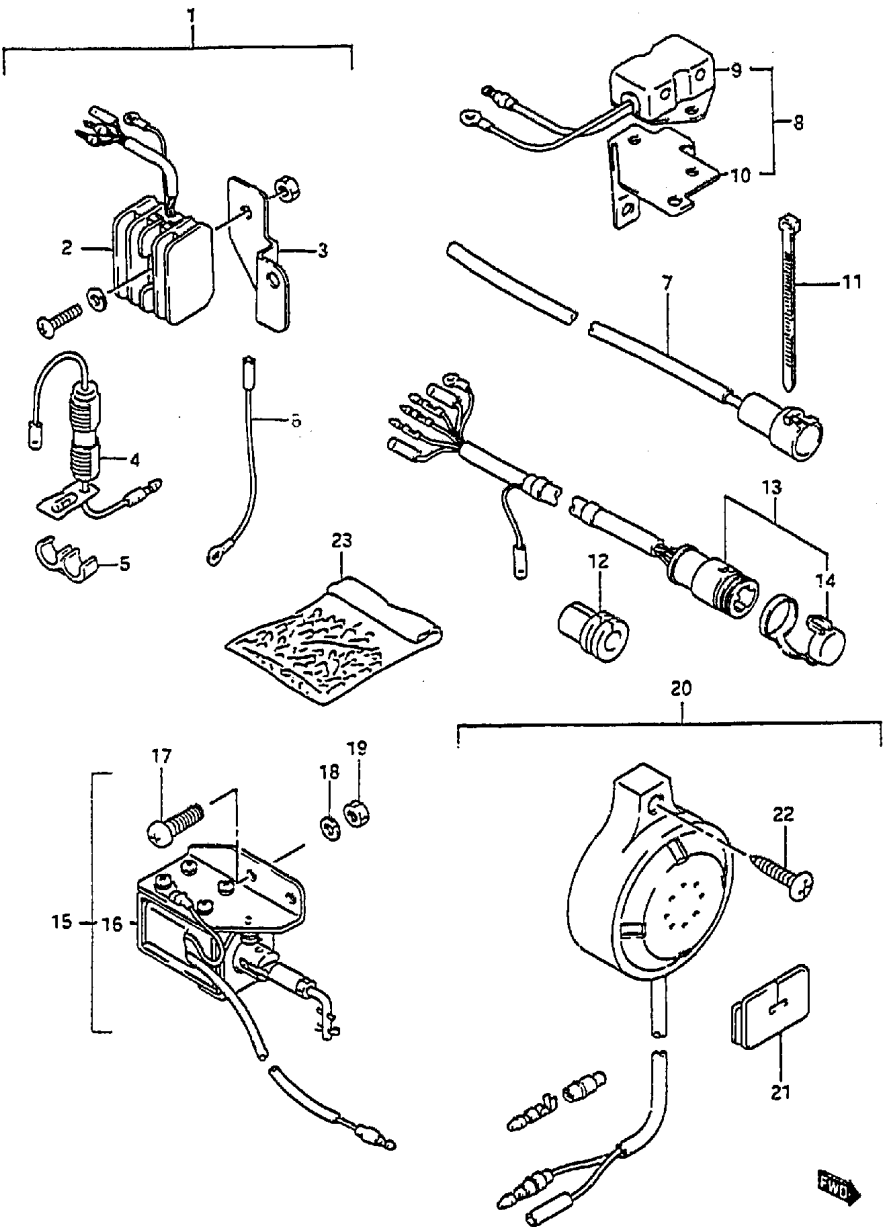


FIG.36 (G-3) OPTIONAL : ELECTRICAL (2)

Q'TY

REMARKS

REF.NO.	PART NO.	DESCRIPTION	Q'TY	REMARKS
1	32801-92D01	RECTIFIER SET	1	
2	32800-95D01	.RECTIFIER	1	
3	32815-92D00	.BRACKET, rectifier	1	
4	36740-92D52	.CASE, fuse	1	
5	09408-00043	.HOLDER, fuse case	1	
6	37801-98300	.LEAD, receptacle ground	1	
7	39602-93900	PLUG ASSY, lighting	1	
8	32501-92D00	REGULATOR SET	1	
9	32500-95722	.UNIT, voltage regulator	1	
10	32590-92D00	.BRACKET, regulator	1	
11-1	36632-95501	CLAMP	1	
11-2	09407-20404	CLAMP	1	model:96
11-3	09407-25402	CLAMP	1	model:97
12	36612-92D00	GROMMET, remocon harness	1	
13-1	36630-89E01	HARNESS, wiring remocon	1	
13-2	36630-89E02	HARNESS, wiring remocon	1	model:97
14	36631-94300	.CAP	1	
15	38600-92D02	SOLENOID SET, choke	1	
16	38610-92D01	.SOLENOID, choke	1	
17	02112-05127	.SCREW	2	
18	08321-01057	.LOCK WASHER	2	
19	08310-00057	.NUT	2	
20-1	38500-92D00	BUZZER (AC)	1	
20-2	38500-92D10	BUZZER (AC)	1	model:94-97
21	37824-92D00	.GROMMET, buzzer lead	1	
22	03142-05253	.SCREW	1	
23	36990-87D00	TERMINAL & SLEEVE SET	1	

FIG.37

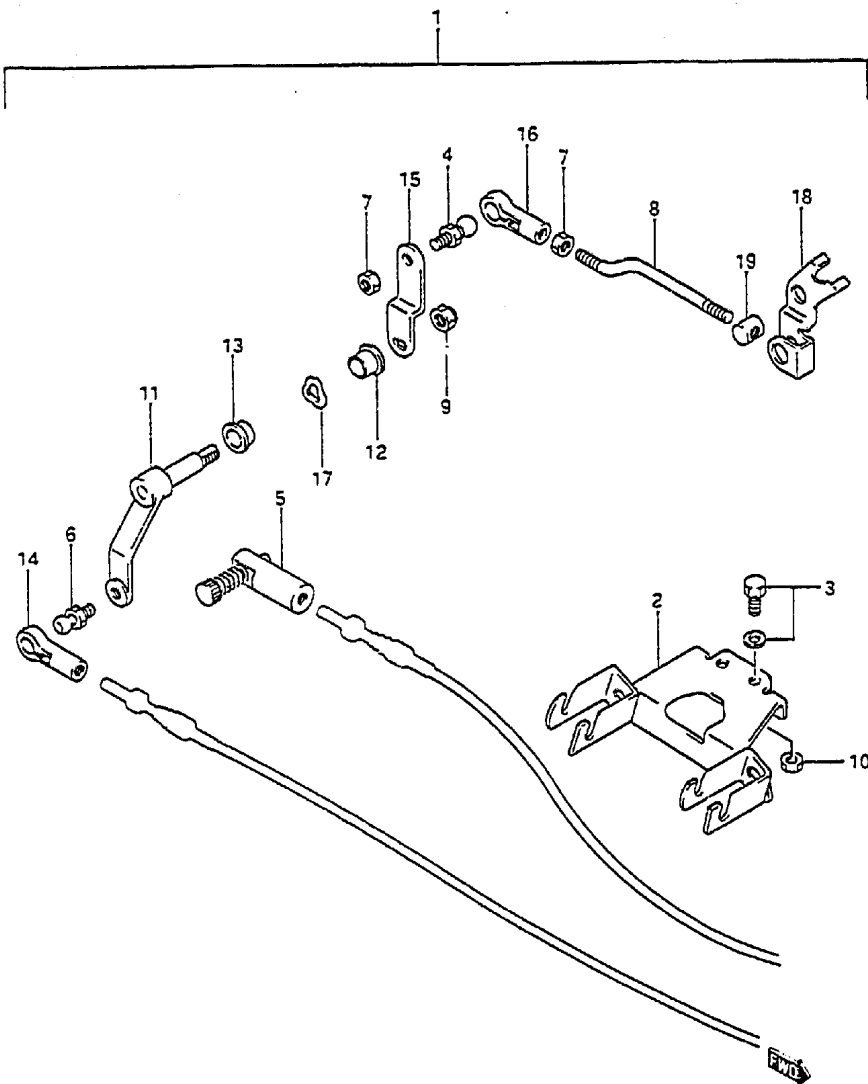


FIG.37 (G- 4) OPTIONAL : REMOTE CONTROL PARTS

REF.NO.	PART NO.	DESCRIPTION	Q'TY	REMARKS
1	67130-92810	REMOTE CONTROL PARTS SET	1	
2	67340-92D00	.HOLDER, remo-con cable	1	
3	09116-06094	.BOLT (6x16)	2	
4	09119-05010	.PIVOT, ball	1	
5	67440-93701	.GUIDE, clutch calbe	1	
6	09119-06047	.BALL PIVOT	1	
7	09140-05005	.NUT	2	
8	67413-92D00	.ROD, remo-con throttle	1	
9	09159-08059	.NUT	1	
10	09140-06020	.NUT	2	
11	67410-92D01	.LEVER, remo-con throttle	1	
12	09306-08003	.BUSH, throttle shaft No.1	1	
13	09306-08014	.BUSH, throttle shaft No.2	1	
14	67466-95200	.CONNECTOR, remo-con cable	1	
15	67417-92D00	.ARM, remo-con throttle,No.1	1	
16	19131-95502	.CONNECTOR, remo-con rod	1	
17	09164-10009	.WASHER	1	
18	67418-92D00	.ARM, remo-con throttle,No.2	1	
19	67419-92D00	.NUT, throttle arm	1	

COLOR : 02M (Silver)
 01T (White)
 0ED (Gray)

FIG. 38

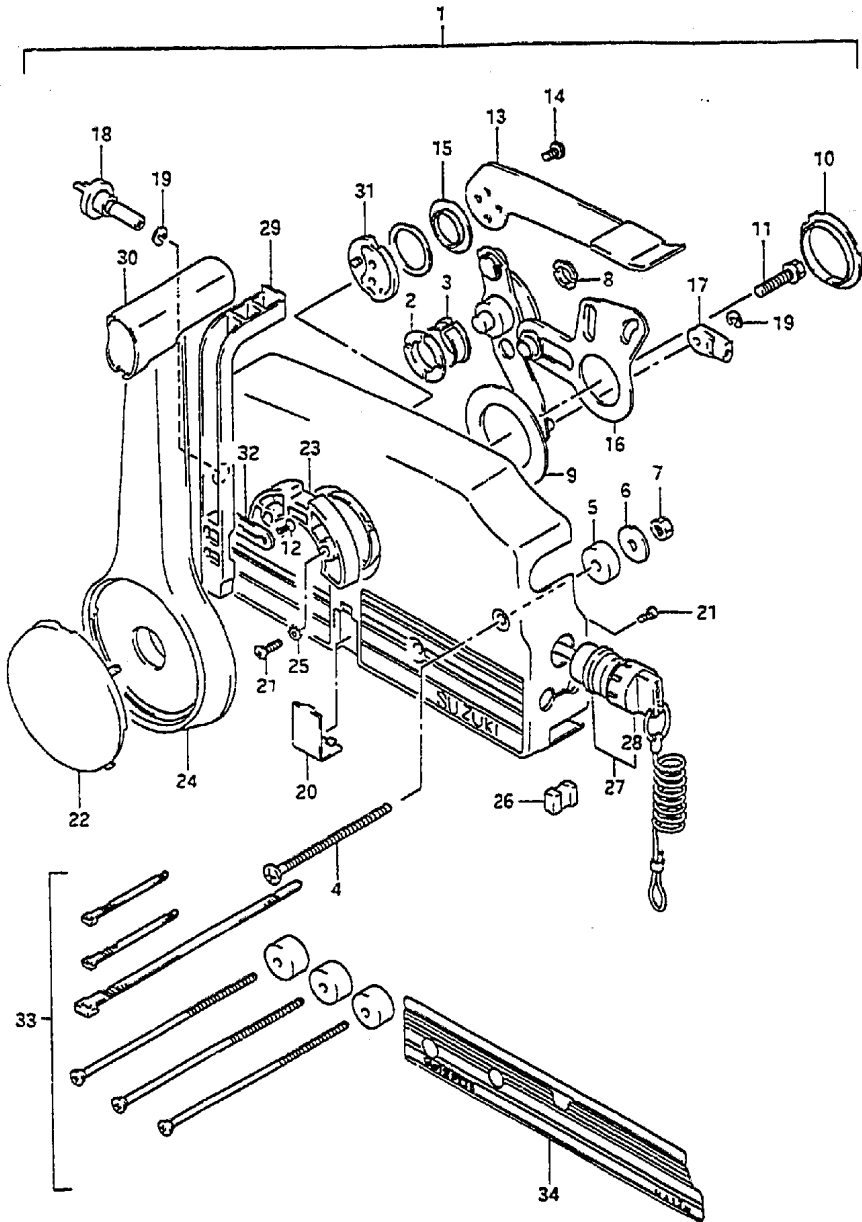


FIG.38 (G- 5) OPTIONAL : REMOTE CONTROL (2)

Q'TY

REF.NO.	PART NO.	DESCRIPTION	Q'TY	REMARKS
1-1	67200-93961-OED	REMOTE CONTROL BOX ASSY	1	+67200-93991-OED
1-2	67200-94462-OED	REMOTE CONTROL BOX ASSY	1	+67200-94491-OED
2	67232-95600	.BUSH	1	
3	67232-95620	.BUSH	1	
4	67296-95600	.SCREW	3	
5	67294-95600	.SPACER	3	
6	09160-06104	.WASHER	3	
7	09140-06020	.NUT	3	
8	67232-95610	.BUSH	2	
9	67253-95600	.WASHER	1	
10	67252-95600	.BUSH	2	
11	09100-08232	.BOLT	1	
12	67296-94300	.SCREW	2	
13-1	67241-95650	.LEVER, free throttle (Silver)	1	
13-2	67241-95600	.LEVER, free throttle (White)	1	
13-3	67241-95680	.LEVER, free throttle (Gray)	1	
14	09126-05003	.SCREW	2	
15	67243-95600	.BUSH	1	
16	67220-95600	.PLATE ASSY	1	
17	67275-95600	.END, cable	2	
18	67223-95600	.KNOB, brake ADJ	1	
19	67292-94300	.E RING	3	
20-1	67267-95600	.COVER, wire (Blue)	1	
20-2	67267-95610	.COVER, wire (Black)	1	
21	67296-95610	.SCREW	7	

COLOR : OED (Gray)

Refer to FIG.39(G-7) for MODEL:93-97

FIG. 38

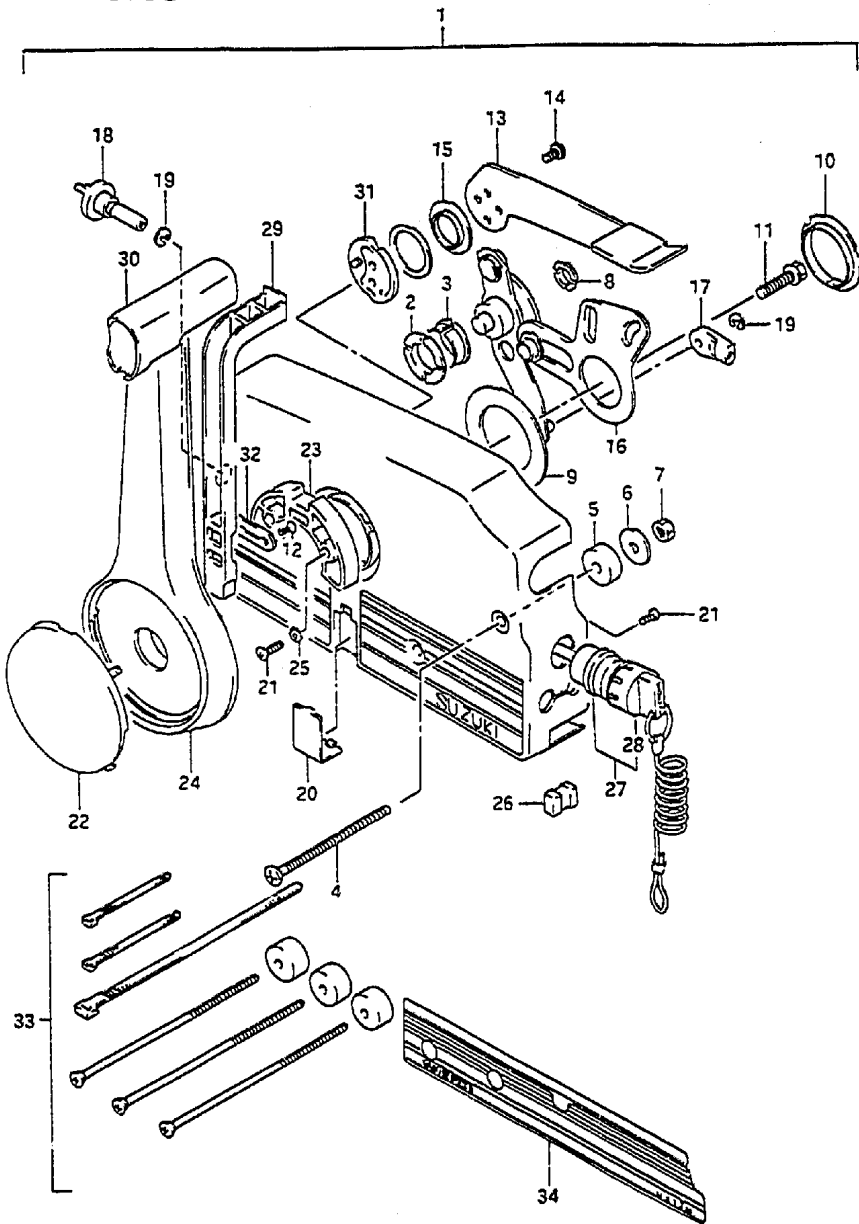


FIG.38 (G- 6) OPTIONAL : REMOTE CONTROL (2)

REF.NO.	PART NO.	DESCRIPTION	Q'TY	REMARKS
22-1	67257-95600	.CAP, lever (Blue)	1	
22-2	67257-95610	.CAP, lever (Black)	1	
23	67256-95600	.HOLDER, neut lock	1	
24-1	67251-95650	.LEVER, handle (Silver)	1	
24-2	67251-95600	.LEVER, handle (White)	1	
24-3	67251-95680	.LEVER, handle (Gray)	1	
25	67297-95600	.WASHER	2	
26	67273-95600	.SPACER	1	
27	37820-94404	.SWITCH ASSY, emergency	1	+37820-92E00
28	37823-94400	..PLATE	1	
29	67255-95600	.ARM, neutral lock	1	
30	67261-95610	.GRIP	1	
31	67245-95600	.DRUM ASSY, throttle	1	
32	67258-87000	.BRACKET, neutral arm	1	
33	67140-95600	ATTACHMENT, remo-con kit	1	
34	67282-95610	DECAL, box PORT (Black)	1	

FIG. 39

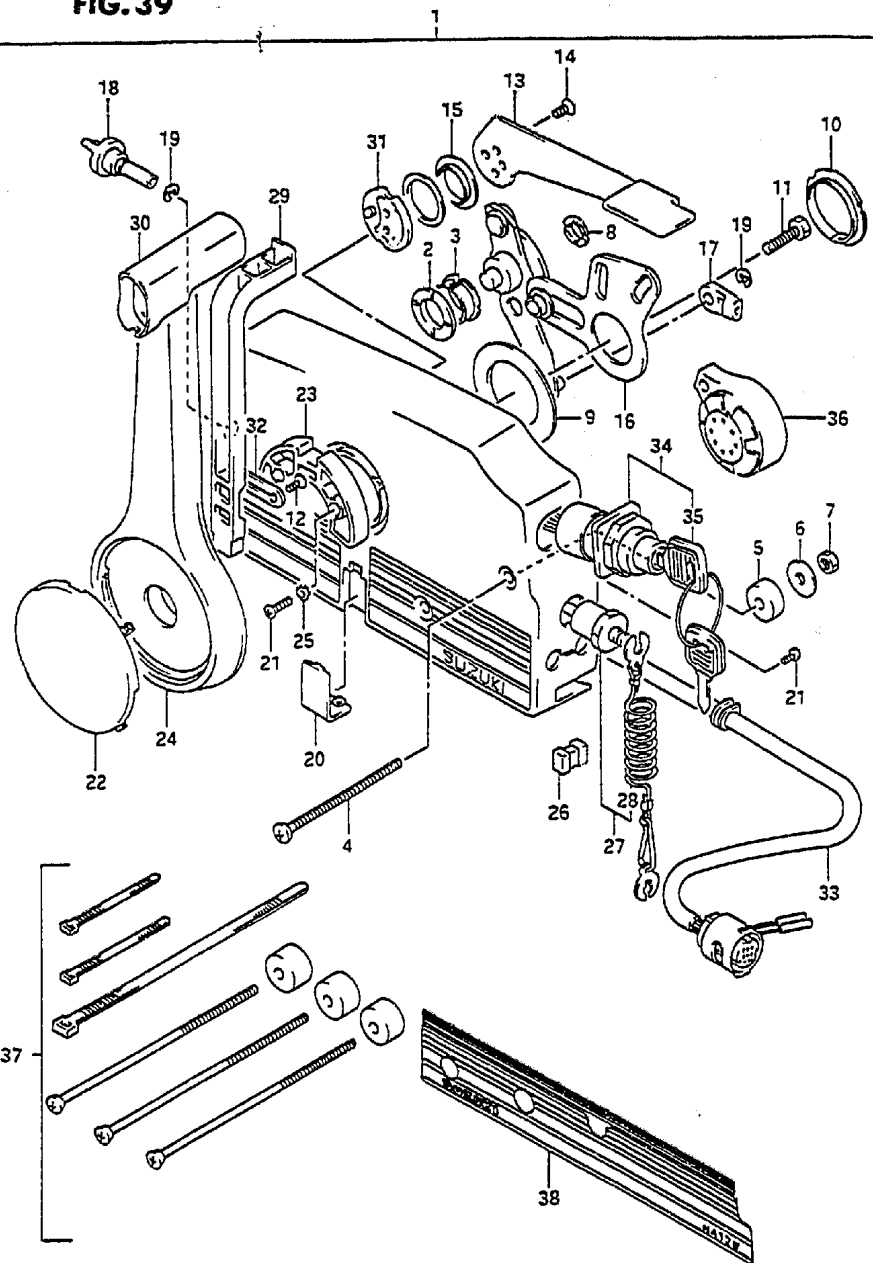


FIG.39 (G-7) OPTIONAL : REMOTE CONTROL (MODEL:93-97)

REF.NO.	PART NO.	DESCRIPTION	Q'TY	REMARKS
1-1	67200-93991-OED	REMOTE CONTROL BOX ASSY	1	
1-2	67200-97E20-OED	REMOTE CONTROL BOX ASSY	1	
2	67232-95600	.BUSH	1	
3	67232-95620	.BUSH	1	
4	67296-95600	.SCREW	3	
5	67294-95600	.SPACER	3	
6	09160-06104	.WASHER	3	
7	09140-06020	.NUT	3	
8	67232-95610	.BUSH	2	
9	67253-95600	.WASHER	1	
10	67252-95600	.BUSH	2	
11	09100-08232	.BOLT	1	
12	67296-94300	.SCREW	2	
13	67241-95680	.LEVER, free throttle (Gray)	1	
14	09126-05003	.SCREW	2	
15	67243-95600	.BUSH	1	
16	67220-95620	.PLATE ASSY	1	
17	67275-95600	.END, cable	2	
18	67223-95600	.KNOB, brake ADJ	1	
19	67292-94300	.E RING	3	
20	67267-95610	.COVER, wire (Black)	1	
21	67296-95610	.SCREW	7	
22	67257-95610	.CAP, lever (Black)	1	
23	67256-95600	.HOLDER, neut lock	1	
24	67251-95680	.LEVER, handle (Gray)	1	
25	67297-95600	.WASHER	2	
26	67273-95600	.SPACER	1	
27-1	37820-92E00	.SWITCH ASSY, emergency	1	for 67200-97E20-OED
27-2	37830-95000	.SWITCH ASSY, emergency	1	for 67200-93991-OED
28	37823-92E00	..PLATE	1	
29	67255-95600	.ARM, neutral lock	1	
30	67261-95610	.GRIP	1	
31	67245-95600	.DRUM ASSY, throttle	1	

COLOR : OED (Gray)

FIG. 39

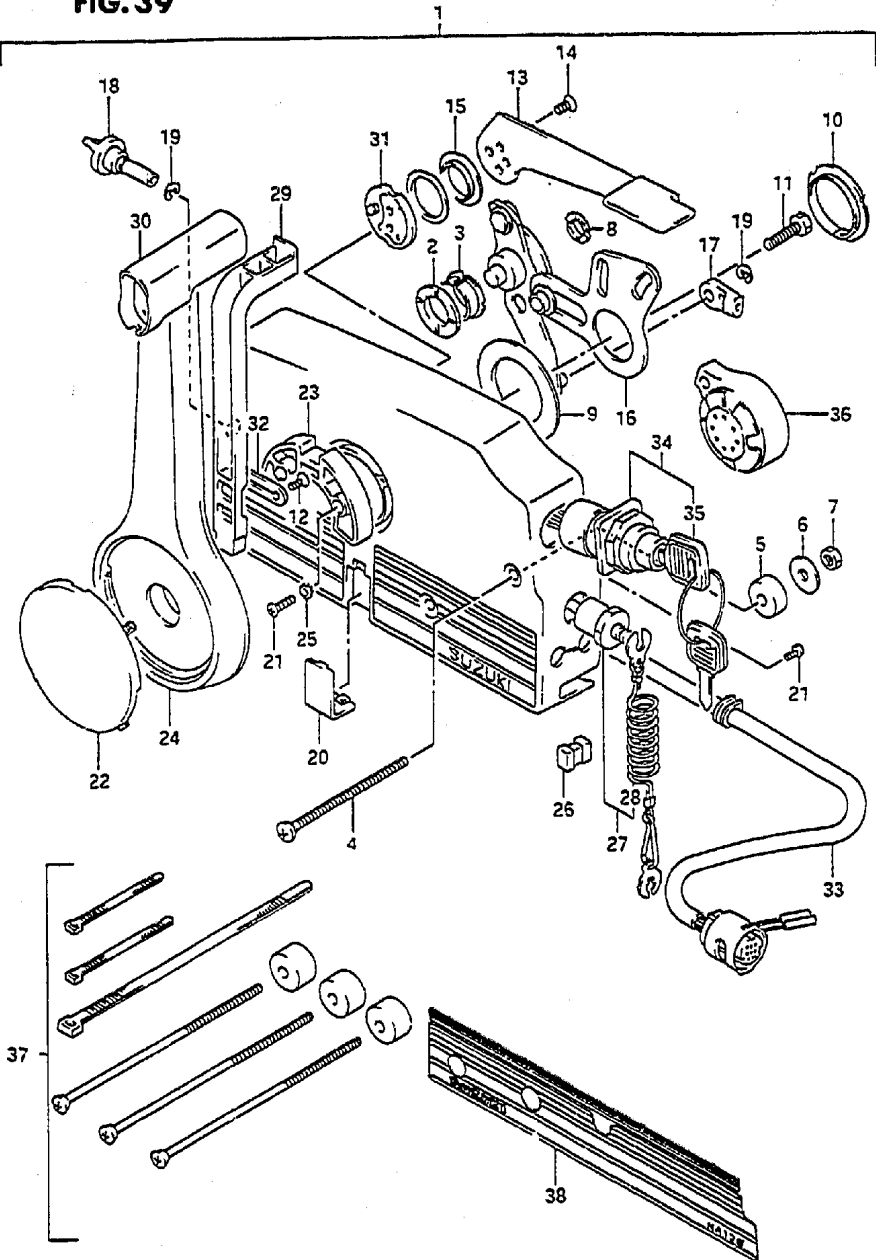


FIG.39 (G- B) OPTIONAL : REMOTE CONTROL (model:93-97)

REF.NO.	PART NO.	DESCRIPTION	Q'TY	REMARKS
32	67258-87D00	.BRACKET, neutral arm	1	
33	36620-95D00	.WIRE ASSY, REMO CONN EXT	1	for 67200-97E20-0ED
34	37110-92E01	.IGNITION SWITCH	1	for 67200-97E20-0ED
35-1	37141-92E00	..KEY (11)	1	for 67200-97E20-0ED
35-2	37141-92E10	..KEY (12)	1	for 67200-97E20-0ED
35-3	37141-92E20	..KEY (13)	1	for 67200-97E20-0ED
35-4	37141-92E30	..KEY (14)	1	for 67200-97E20-0ED
35-5	37141-92E40	..KEY (15)	1	for 67200-97E20-0ED
35-6	37141-92E50	..KEY (16)	1	for 67200-97E20-0ED
35-7	37141-92E60	..KEY (17)	1	for 67200-97E20-0ED
35-8	37141-92E70	..KEY (18)	1	for 67200-97E20-0ED
35-9	37141-92E80	..KEY (19)	1	for 67200-97E20-0ED
35-10	37141-92E90	..KEY (20)	1	for 67200-97E20-0ED
36	38500-92X50	.BUZZER	1	for 67200-97E20-0ED
37	67140-95600	ATTACHMENT, remo-con kit	1	
38	67282-95610	DECAL, box PORT (Black)	1	

FIG.40

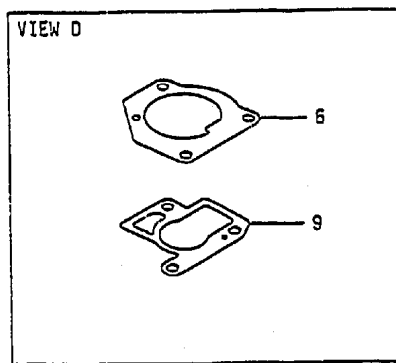
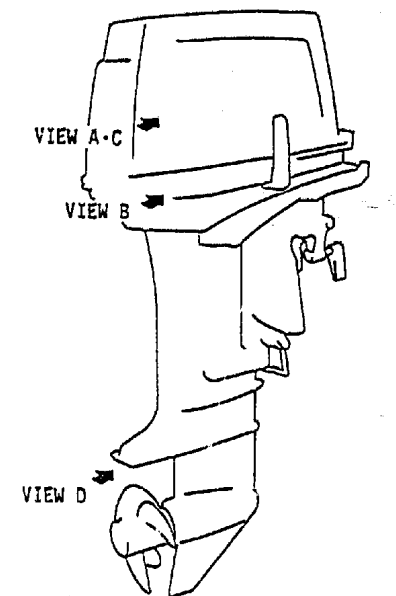
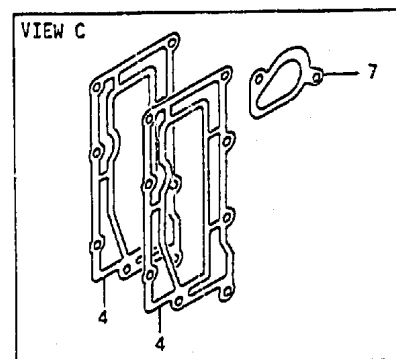
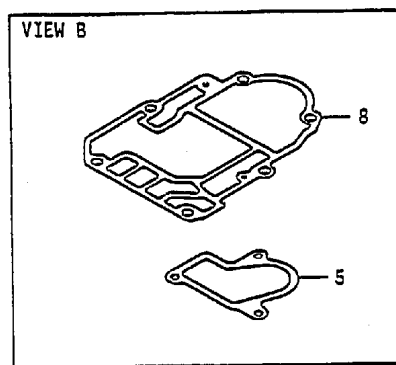
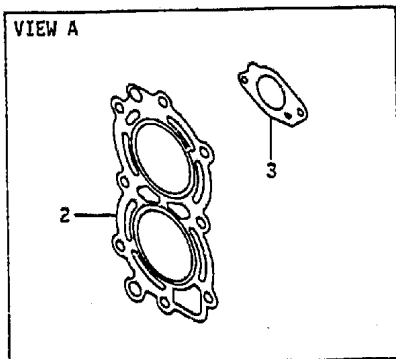


FIG.40 (G- 9) OPT : GASKET SET

REF.NO.	PART NO.	DESCRIPTION	Q'TY	REMARKS
1	11400-92819	GASKET SET	1	
2	11141-92020	.GASKET, cylinder head	1	
3	13125-91000	.GASKET, carburetor	2	
4	14151-92010	.GASKET, exhaust cover	1	
5	14213-92010	.GASKET, exhaust tube	1	
6	17472-92010	.GASKET, pump case under	1	
7	17685-92010	.GASKET, thermostat cover	1	
8	52113-92020	.GASKET, drive shaft housing	1	
9	56132-92010	.GASKET, drive shaft	1	

FIG. 41

51

FIG. 41 (G-10) OPT:REVERSE LOCK SET

Q'TY

REF.NO.	PART NO.	DESCRIPTION	Q'TY	REMARKS
1	43755-93900	ATTACHMENT, bracket	1	
2	09100-08224	BOLT	2	
3	09140-08016	NUT	2	
4	09162-08007	LOCK WASHER	2	
5	45200-92001	REVERSE LOCK SET	1	
6	45211-92000	.SPRING, reverse lock	1	
7	09140-06020	.NUT	1	
8	09160-06082	.WASHER	1	
9	09200-05007	.PIN	1	
10	09200-06061	.PIN	1	
11	09204-01001	.PIN	2	
12	45700-92001	SHALLOW DRIVE SET	1	
13	45255-95500	.KNOB, shallow drive lever	1	
15	45722-92000	.SPRING, shallow drive	1	
16	09200-08066	.PIN	1	
17	09204-01002	.COTTER PIN	1	
18	67100-99700	ATTACHMENT, remote control	1	

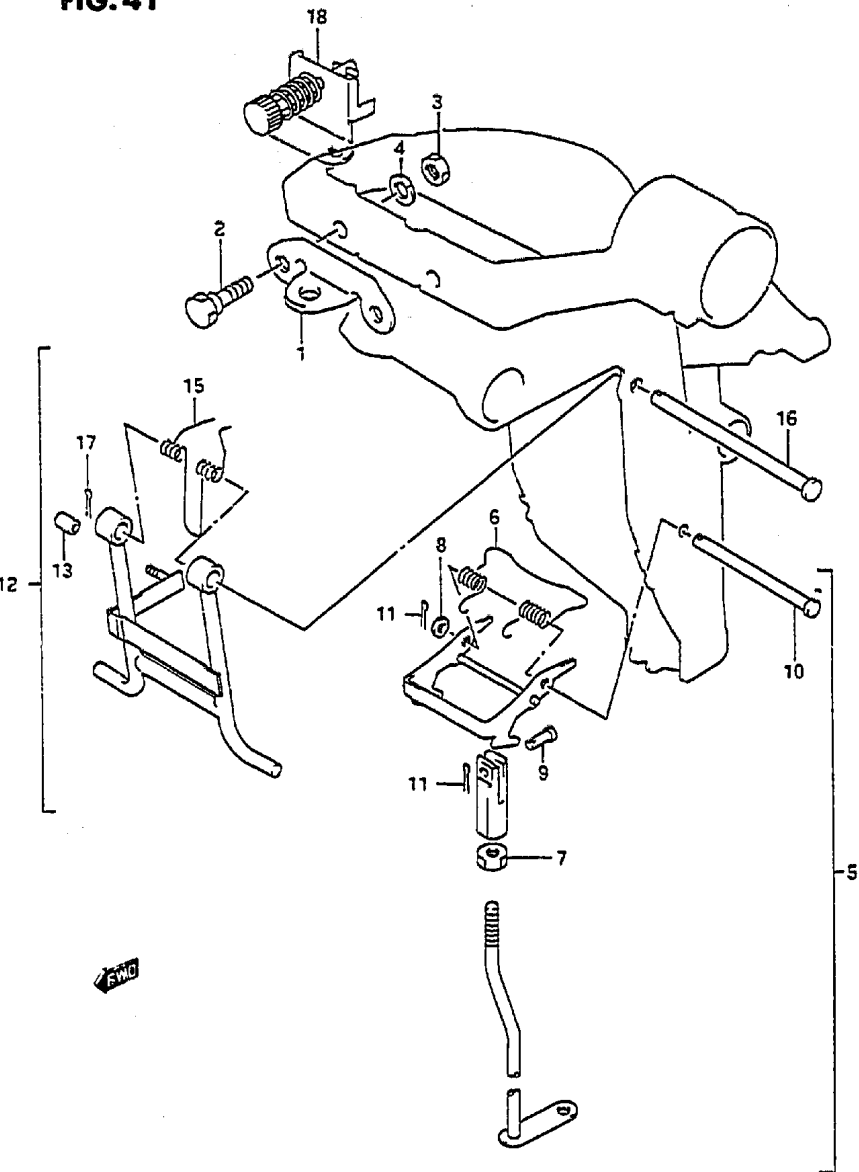


FIG.42

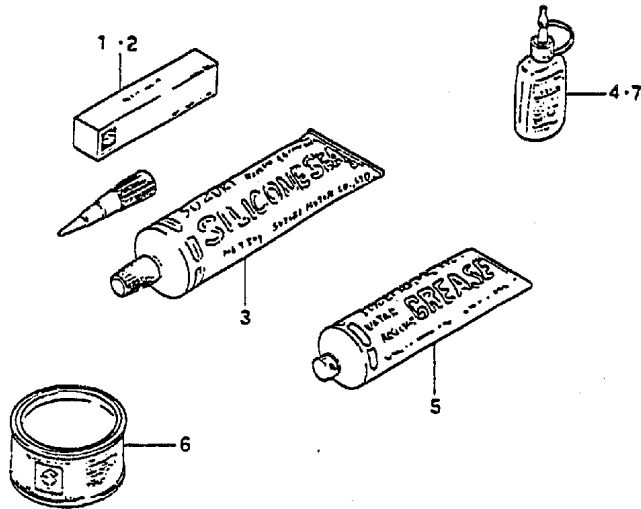


FIG.42 (G-11) OPTIONAL

REF.NO.	PART NO.	DESCRIPTION	Q'TY	REMARKS
1	99000-31140	SUZUKI BOND No.1207B	1	100g
2	93691-80030	SEAL	1	100g
3	99000-31120	SUZUKI SILICON SEAL	1	50g
4	99000-32050	THREAD LOCK CEMENT, super	1	50g
5	99000-25160	GREASE, water resistant	1	250g
6	99000-25010	SUZUKI SUPER GREASE	1	450g
7	99000-32020	THREAD LOCK CEMENT, super	1	50g,103Q
8-1	99011-92D21-03A	MANUAL, owner's	1	model:89 not shown
8-2	99011-92D22-03A	MANUAL, owner's	1	model:90 not shown
8-3	99011-92D23-03A	MANUAL, owner's	1	model:91 not shown
8-4	99011-92D24-03A	MANUAL, owner's	1	model:92 not shown
8-5	99011-92D25-03A	MANUAL, owner's	1	model:93 not shown
8-6	99011-92D26-03A	MANUAL, owner's	1	model:94 not shown
8-7	99011-92D28-03A	MANUAL, owner's	1	model:95 not shown
8-8	99011-92D50-03A	MANUAL, owner's	1	model:96 not shown
8-9	99011-92D52-03A	MANUAL, owner's	1	model:97 not shown